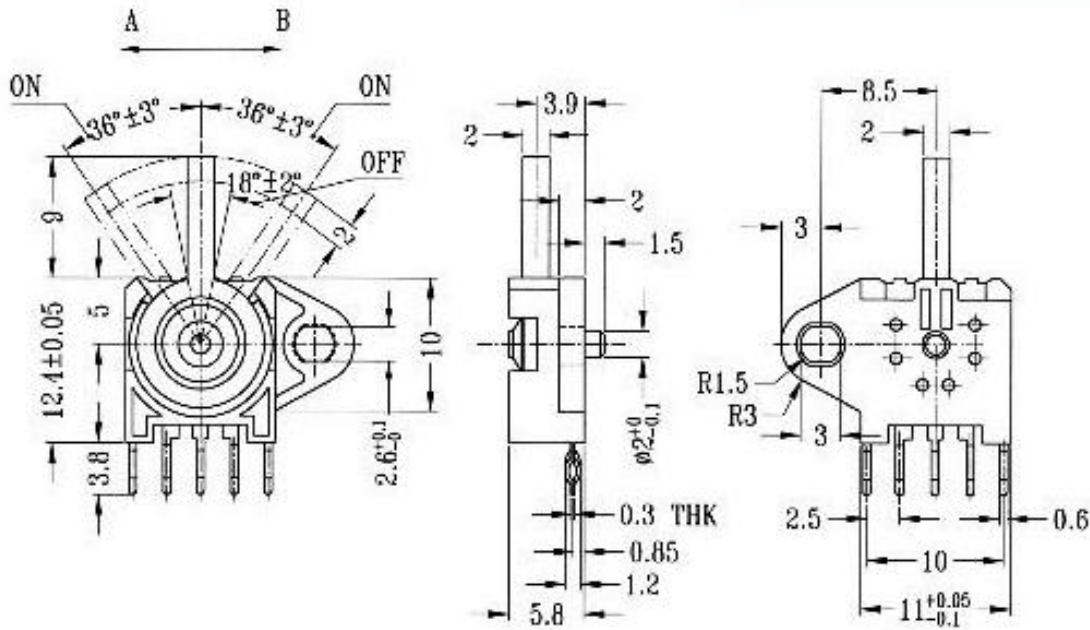


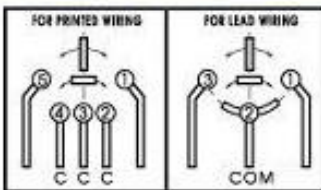
CDR-3303 Detector Switch



CDR-3303



CIRCUIT DIAGRAM



SPECIFICATIONS

1. RATING: 0.1A 12V DC
2. OPERATING FORCE: 70gf
3. INITIAL CONTACT RESISTANCE 100mΩ MAX