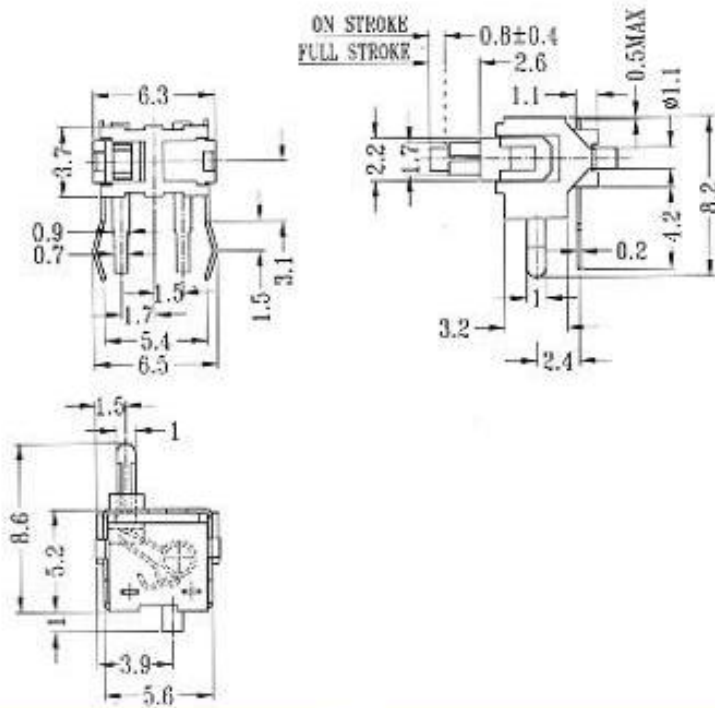


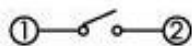
TC-V030B Detector Switch



TC-V030B



CIRCUIT DIAGRAM



SPECIFICATIONS

Rating: 0.1A 30V DC
 Function: 1P1T
 OPERATING FORCE: 40gf ± 10gf
 INITIAL CONTACT RESISTANCE 1000mΩ MAX