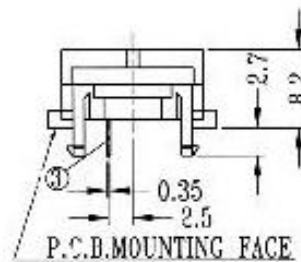
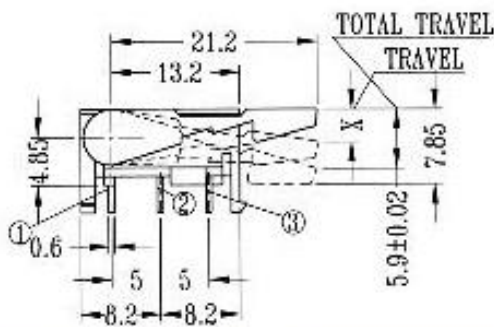
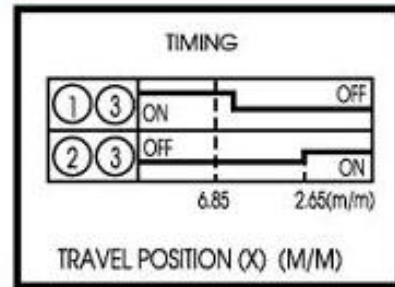
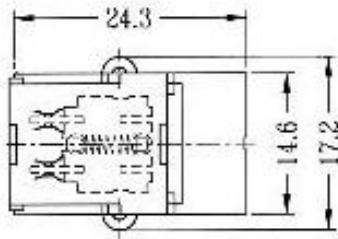


HS-12L01 Hook Switch

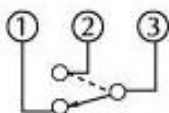


HS-12L01



CIRCUIT DIAGRAM

SPECIFICATIONS



Function: 1P2T