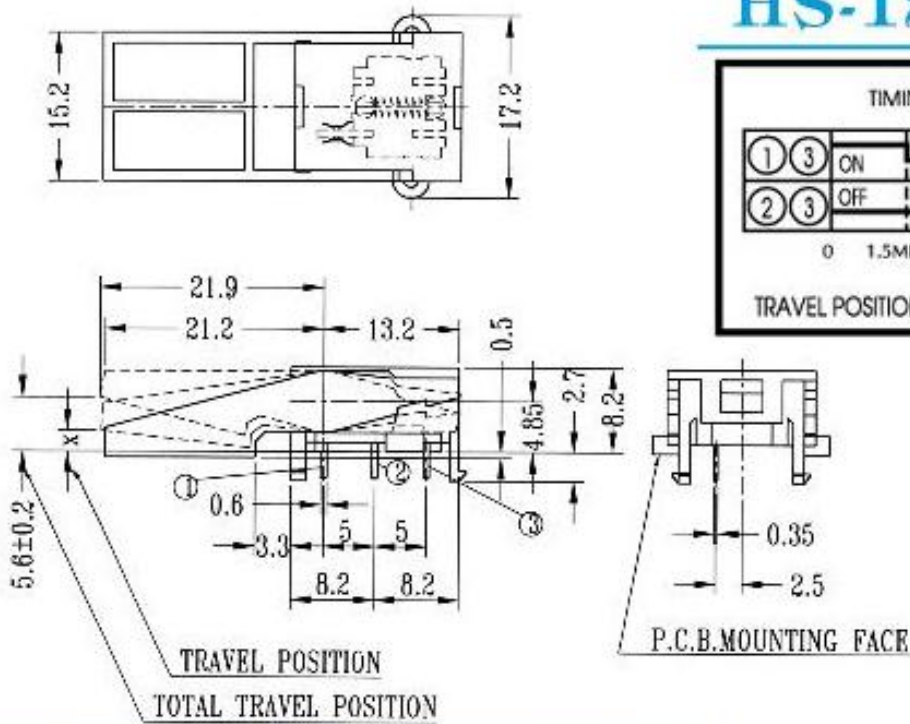


HS-12L03 Hook Switch



HS-12L03



TIMING	
① ③	ON
② ③	OFF
0 1.5MIN 4.0MAX (MM)	
TRAVEL POSITION (X) (M/M)	

CIRCUIT DIAGRAM

SPECIFICATIONS

Function: 1P2T

