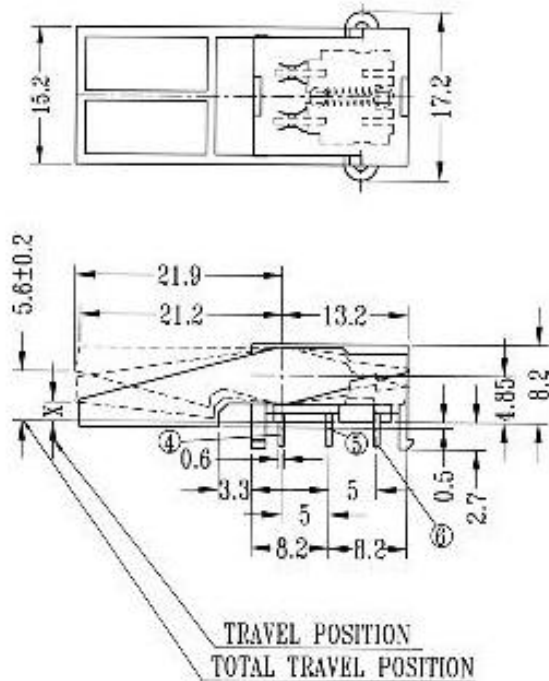


**HS-22L03 Hook Switch**

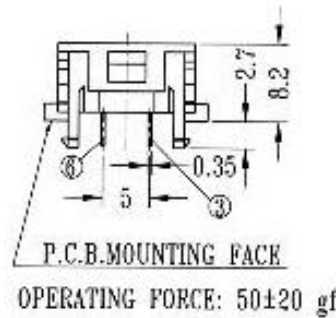


**HS-22L03** REVERSE



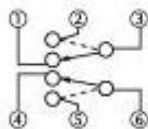
		TIMING	
①	③	ON	OFF
②	③	OFF	ON
④	⑥	ON	OFF
⑤	⑥	OFF	ON

0 1.5MIN 4.0MAX (MM)  
TRAVEL POSITION (X)



**CIRCUIT DIAGRAM**

**SPECIFICATIONS**



Function: 2P2T