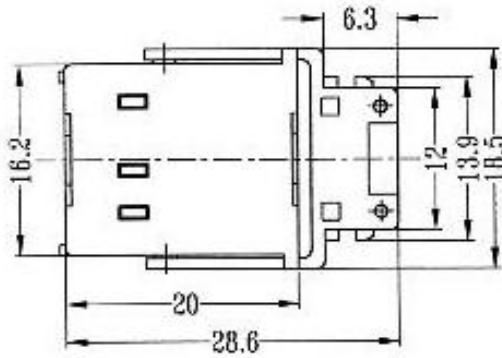
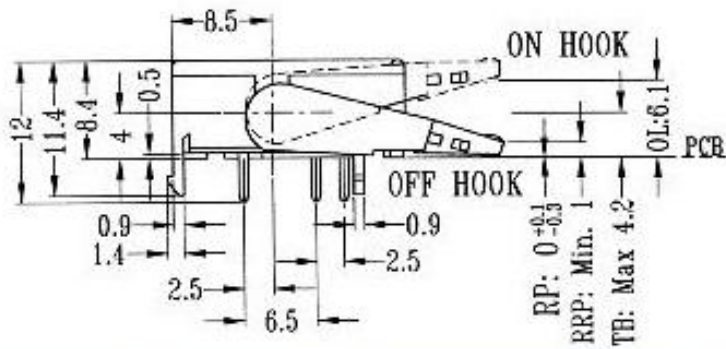
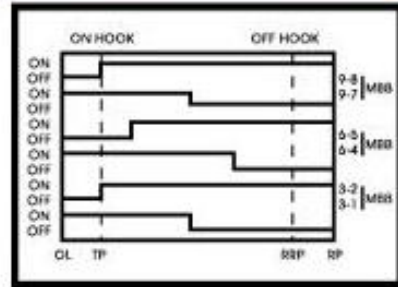


**HS-32L05 Hook Switch**

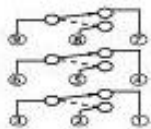


**HS-32L05** REVERSE



**CIRCUIT DIAGRAM**

**SPECIFICATIONS**



Function: 3P2T