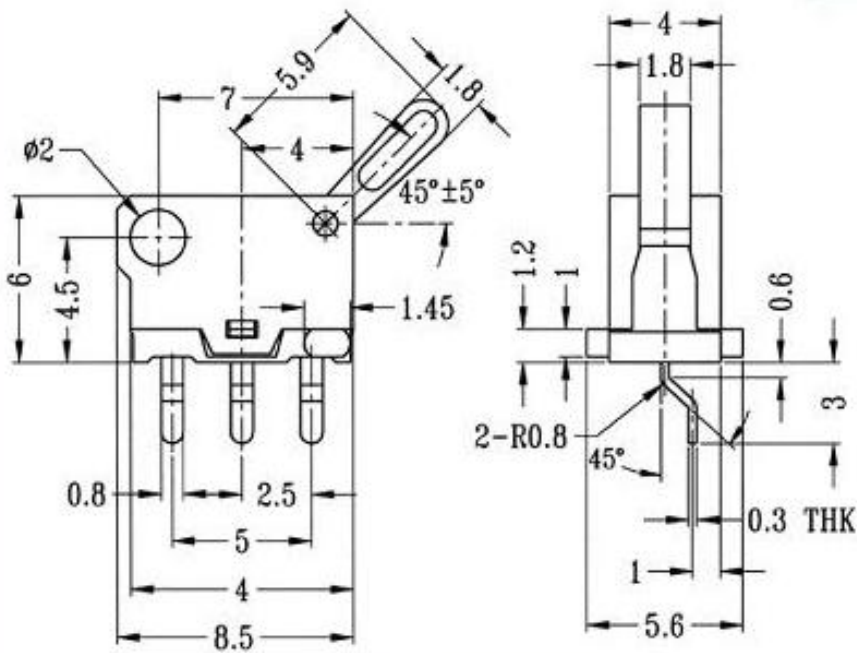


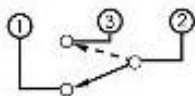
MX-001A Micro Switch



MX-001A



CIRCUIT DIAGRAM



SPECIFICATIONS

Rating: DC 30V 0.1A