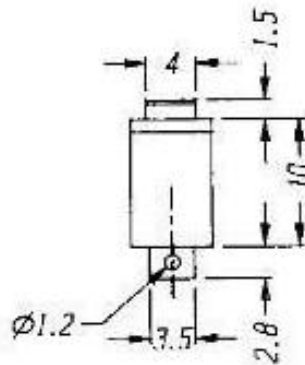
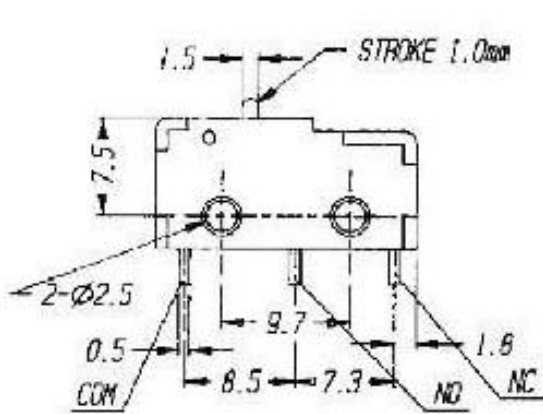
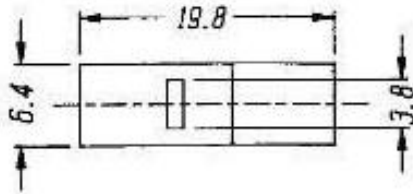


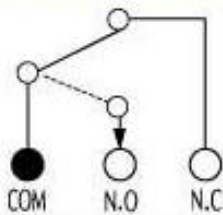
MX-90 Micro Switch



MX-90



CIRCUIT DIAGRAM



SPECIFICATIONS

Rating : 1A 125V AC  
Function: 1P2T