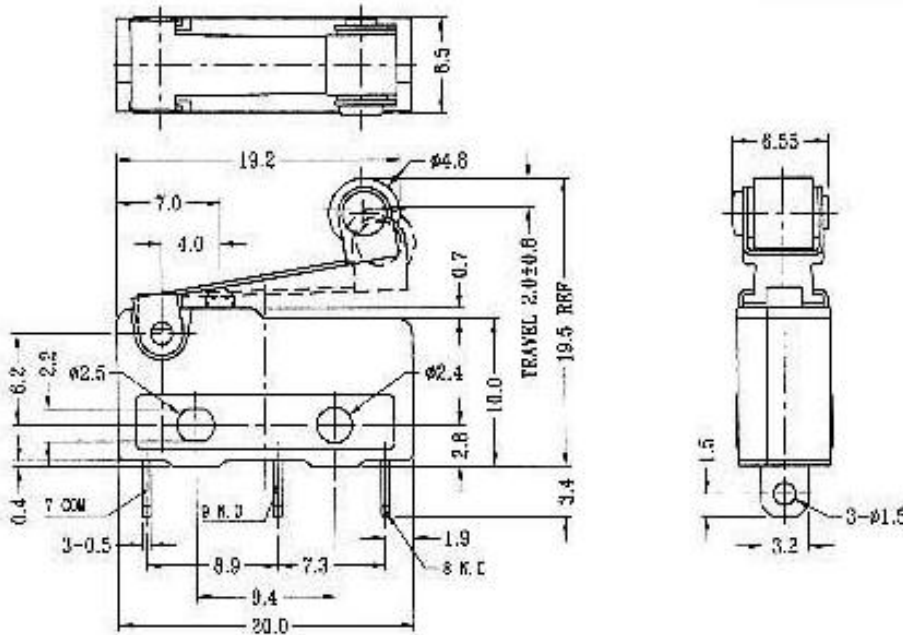


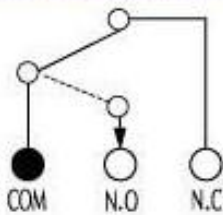
MX-98 Micro Switch



MX-98



CIRCUIT DIAGRAM



SPECIFICATIONS

Rating : 2A 24V DC
3A 250V AC
Function: 1P2T