

CD268 Wide temperature range Aluminum Electrolytic Capacitor

Wide temperature range, 105C, Load life: 1000 hours. Small size, large capacity

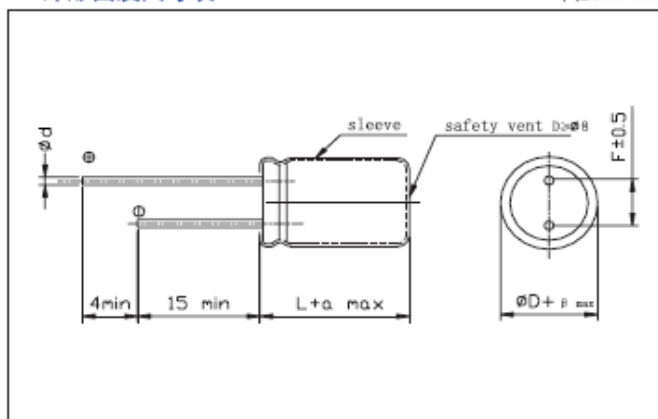
Used in VCD, DVD, Color-TV, Air conditioning circuits, etc

主要技术性能 Specifications

项目 Item	特性 Performance Characteristics																																						
使用温度范围 Operating temperature rang	-40 ~ +105℃	-25 ~ +105℃																																					
额定电压范围 Rated voltage range	6.3 ~ 100V	160 ~ 450V																																					
标称电容量范围 Nominal capacitance range	0.1~10000 μF	0.47~220 μF																																					
标称电容量允许偏差 Capacitance tolerance	± 20% (120Hz, +20℃)																																						
漏电流 Leakage current	$I \leq 0.01CV$ (μA) 或 $3\mu A$ 1分钟(1 minute) 取较大者(Whichever is greater)	$I \leq 0.02CV + 15$ (μA) 1分钟 (1 minute)																																					
损耗角正切值 (tg δ) Dissipation factor (+20℃, 120Hz)	<table border="1"> <tr> <td>U_R (V)</td> <td>6.3</td> <td>10</td> <td>16</td> <td>25</td> <td>35</td> <td>50</td> <td>63</td> <td>100</td> <td>160-450</td> </tr> <tr> <td>tg δ</td> <td>0.25</td> <td>0.20</td> <td>0.17</td> <td>0.15</td> <td>0.12</td> <td>0.10</td> <td>0.09</td> <td>0.08</td> <td>0.20</td> </tr> </table>									U_R (V)	6.3	10	16	25	35	50	63	100	160-450	tg δ	0.25	0.20	0.17	0.15	0.12	0.10	0.09	0.08	0.20										
U_R (V)	6.3	10	16	25	35	50	63	100	160-450																														
tg δ	0.25	0.20	0.17	0.15	0.12	0.10	0.09	0.08	0.20																														
温度特性 Temperature characteristics (Impedance ratio at 120Hz)	<table border="1"> <tr> <td>U_R (V)</td> <td>6.3</td> <td>10</td> <td>16-50</td> <td>63-100</td> <td>160-250</td> <td>400</td> <td>450</td> <td colspan="2"></td> </tr> <tr> <td>Z-25℃ / +20℃</td> <td>-</td> <td>-</td> <td>-</td> <td>-</td> <td>≤6</td> <td>≤4</td> <td>≤4</td> <td colspan="2"></td> </tr> <tr> <td>Z-40℃ / +20℃</td> <td>≤8</td> <td>≤6</td> <td>≤4</td> <td>≤3</td> <td>-</td> <td>-</td> <td>-</td> <td colspan="2"></td> </tr> </table>									U_R (V)	6.3	10	16-50	63-100	160-250	400	450			Z-25℃ / +20℃	-	-	-	-	≤6	≤4	≤4			Z-40℃ / +20℃	≤8	≤6	≤4	≤3	-	-	-		
U_R (V)	6.3	10	16-50	63-100	160-250	400	450																																
Z-25℃ / +20℃	-	-	-	-	≤6	≤4	≤4																																
Z-40℃ / +20℃	≤8	≤6	≤4	≤3	-	-	-																																
耐久性 Load life	+105℃ 加额定电压1000小时, 恢复16小时后: After applying rated voltage for 1000 hours at +105℃ and then resumed 16 hours: 电容量变化率 Capacitance change : ±20% 初始测量值以内 Initial measured value 漏电流 Leakage current : ≤ 初始规定值 Initial specified value 损耗角正切值 Dissipation factor : ≤2倍 初始规定值 Initial specified value																																						
高温贮存 Shelf life	+105℃, 1000小时贮存后, 恢复16小时后: After storage for 1000 hours at +105℃ and then resumed 16 hours 电容量变化率 Capacitance change : ±20% 初始测量值以内 Initial measured value 漏电流 Leakage current : ≤2倍 初始规定值 Initial specified value 损耗角正切值 Dissipation factor : ≤2倍 初始规定值 Initial specified value																																						

外形图及尺寸表 Case size table

单位Unit: mm



D	5	6	8	10	13	16	19	22
F	2.0	2.5	3.5	5.0		7.5	7.5	7.5
d	0.5	0.5, 0.6	0.6	0.6		0.8	0.8	0.8

α MAX	(L < 20) 1.5	β MAX	(D < 20) 0.5
	(L ≥ 20) 2.0		(D > 20) 1.0

Aluminum Electrolytic Capacitor

Elecsound

■ 尺寸 DIMENSIONS

∅D × L(mm)

容量 C _R (μF)	代 码 Code	6.3V		10V		16V		25V		35V		50V		63V	
		0J		1A		1C		1E		1V		1H		1J	
0.1	0R1											5 × 11	3		
0.22	R22											5 × 11	4		
0.33	R33											5 × 11	5		
0.47	R47											5 × 11	6		
1	010											5 × 11	9		
2.2	2R2											5 × 11	11		
3.3	3R3											5 × 11	15		
4.7	4R7											5 × 11	18	5 × 11	20
10	100					5 × 11	20	5 × 11	25	5 × 11	25	5 × 11	25	5 × 11	30
22	220					5 × 11	30	5 × 11	35	5 × 11	35	5 × 11	40	6 × 11 8 × 11	50
33	330					5 × 11	40	5 × 11	40	5 × 11	50	6 × 11 8 × 11	60	8 × 11	60
47	470			5 × 11	45	5 × 11	50	5 × 11	50	6 × 11 8 × 11	65	6 × 11 8 × 11	70	8 × 12	90
100	101	5 × 11	60	5 × 11	80	6 × 11 8 × 11	80	6 × 11 8 × 11	90	8 × 12	110	8 × 12	120	10 × 13	150
220	221	6 × 11 8 × 11	100	6 × 11 8 × 11	110	8 × 12	140	8 × 12	150	10 × 13	190	10 × 16	240	10 × 20	270
330	331	8 × 11	120	8 × 12	160	8 × 12	180	10 × 13	220	10 × 16	260	10 × 20	320	13 × 20	380
470	471	8 × 12	170	8 × 12	190	10 × 13	250	10 × 16	290	10 × 20	350	13 × 20	430	13 × 25	500
1000	103	10 × 13	300	10 × 16	360	10 × 20	440	13 × 20	540	13 × 25	620	16 × 25	790	16 × 31	900
2200	222	13 × 20	580	13 × 20	620	13 × 25	700	16 × 25	880	16 × 31	1030	19 × 35	1230	19 × 40	1310
3300	332	13 × 20	670	13 × 25	800	16 × 25	970	16 × 31	1120	19 × 35	1320	19 × 40	1400	22 × 40	1730
4700	472	16 × 25	1000	16 × 25	1050	16 × 31	1240	19 × 35	1440	19 × 40	1540	22 × 40	1780		
6800	682	16 × 25	1120	16 × 31	1300	19 × 35	1530	19 × 40	1630	22 × 40	1880				
10000	103	19 × 35	1320	19 × 35	1620	19 × 40	1730	22 × 40	2000						

∅D × L(mm)

容量 C _R (μF)	代 码 Code	100V		160V		200		250V		400V		450V	
		2A		2C		2D		2E		2G		2H	
0.1	0R1	5 × 11	3										
0.22	R22	5 × 11	4										
0.33	R33	5 × 11	5										
0.47	R47	5 × 11	6	5 × 11	8	8 × 11	6	8 × 11	6				
1	010	5 × 11	9	5 × 11	12	8 × 11	9	8 × 11	9	10 × 16	15		
2.2	2R2	5 × 11	15	8 × 11	15	8 × 11	15	8 × 12	15	10 × 16	20	10 × 16	29
3.3	3R3	5 × 11	18	8 × 12	20	8 × 12	20	10 × 13	20	10 × 16 10 × 20	25	10 × 20	35
4.7	4R7	5 × 11	20	8 × 12	25	10 × 13	30	10 × 13	30	13 × 20 16 × 25	40	13 × 20	50
10	100	6 × 11 8 × 11	35	10 × 13	40	10 × 16	45	10 × 20	45	10 × 20 13 × 20	70	13 × 25	75
22	220	8 × 12	65	10 × 20	70	10 × 20	70	13 × 25	80	16 × 31	110	16 × 31	110
33	330	10 × 13	95	13 × 20	110	13 × 25	110	13 × 25	100	19 × 35	180	19 × 35	150
47	470	10 × 16	120	13 × 25	140	13 × 25	140	16 × 25	140			22 × 40	230
100	101	13 × 20	220	16 × 25	250	16 × 31	250	19 × 35	260				
220	221	16 × 25	420	19 × 35	430								
330	331	16 × 31	510										
470	471	19 × 31	680										
1000	102	19 × 40	1200										

— 额定纹波电流 Rated ripple current (mA, +105°C, 120Hz)