

ET3269 Cermet Trimming Potentiometer

ELECSOUND®

Features:

Square/Multiturn/ Cermet/ Industrial/ Sealed
3 Terminal Styles
Rohs Compliant

Electrical Characteristics

Standard Resistance range: 10Ω - 1MΩ
Resistance Tolerance: ±10% std.
Absolute Minimum Resistance: ≤1% or 2Ω
Contact Resistance Variation: ≤3% or 3Ω
Insulation Resistance : R1≥1,000 MegΩ
Withstand Voltage : 500VAC
Effective Travel: 12 turns normal

Environmental Characteristics

Power Rating: 0.25W@70°C, 0W@125°C(200V)
Temperature Range: -55°C to +125°C
Temperature Coefficient: ±100ppm/°C
Vibration: 10-500Hz, 0.75mm, 6Hour, ΔR≤±1%
Shock: 390m/s, 4000cycles, ΔR≤±1%
Endurance: 0.25W@70°C, 1000H, ΔR≤3%
Rotational Life: 200Cycles, ΔR≤±3%

How to order

ET3269 W - 1 - 103

Model _____
Style _____
Product Indicator _____
-1 = Standard Product
Resistance Code _____

Physical Characteristics

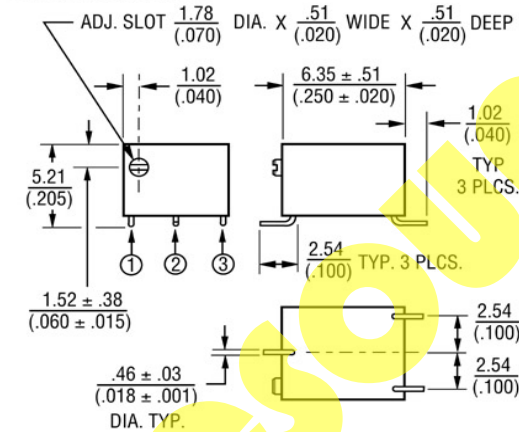
Starting Torque: ≤35mN·m
Flammability: UL.94V-0
Marking: Resistance code
Standard Packaging: 50pcs per Tube

Standard Resistance Table:

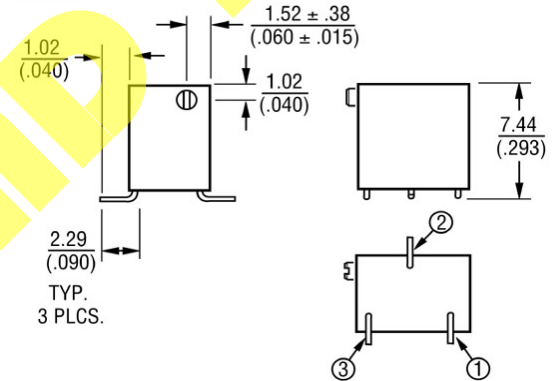
Resistance (Ohms)	Resistance Code
10	100
20	200
50	500
100	101
200	201
500	501
1000	102
2000	202
5000	502
10000	103
20000	203
25000	253
50000	503
100000	104
200000	204
250000	254
500000	504
1000000	105



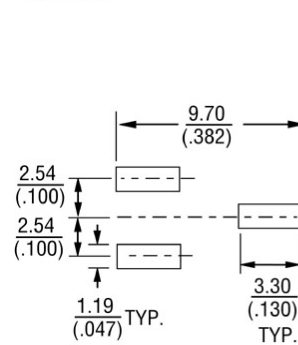
3269P Common Dimensions



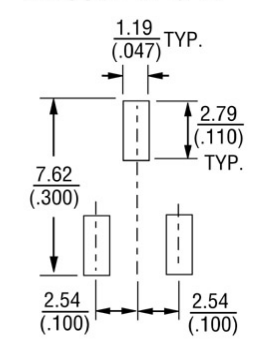
3269X



RECOMMENDED PCB LAYOUT - "P"



RECOMMENDED PCB LAYOUT - "W" & "X"



3269W

