

ET3318 Phenolic Trimming Potentiometer

ELECSOUND®

Features:

Single-Turn/ Phenolic/ Industrial/ Sealed
2 Terminal Styles
Rohs Compliant

Electrical Characteristics

Standard Resistance Range: 100Ω - 1MΩ
Resistance Tolerance: ±30% std.
Contact Resistance Variation: ≤10%
Effective Travel: 210° normal

Environmental Characteristics

Power Rating: 100-500K ohms, 50V
Power Rating: ≥500K ohms, 25V
Power Rating: 50°C - 0.1W
Temperature Range: -25°C to +105°C
Temperature Coefficient: ±1000ppm/°C
Load Life: 1000 hours, 0.1W @70°C

How to order:

ET3318 K - 1 - 103

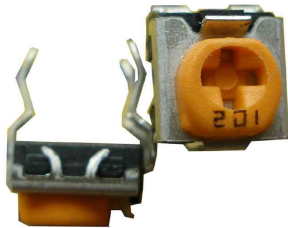
Model _____
Style _____
Standard or Modified Product Code _____
-1 = 30 % TR Tolerance (Standard)
-2 = 20 % TR Tolerance
Resistance Code _____

Physical Characteristics

Starting Torque: 20-250g·cm
Stop Strength:
Knob Side: 750g·cm
Reverse Side: 350g·cm
Marking: Resistance code, Date Code
Standard Packaging: 200pcs per bag

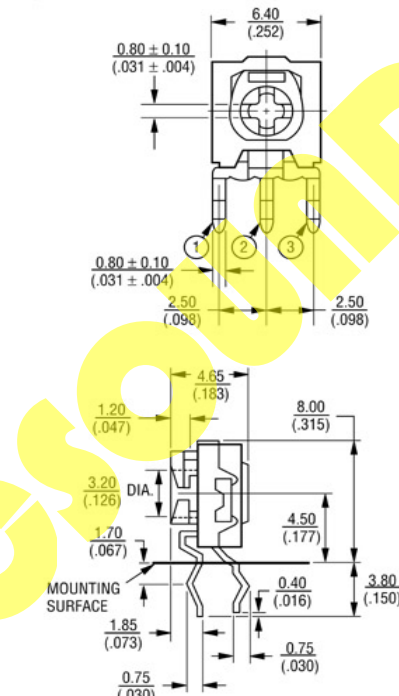
Standard Resistance Table:

Resistance (Ohms)	Resistance Code
100	101
200	201
500	501
1000	102
2000	202
5000	502
10000	103
20000	203
50000	503
100000	104
200000	204
500000	504
1000000	105

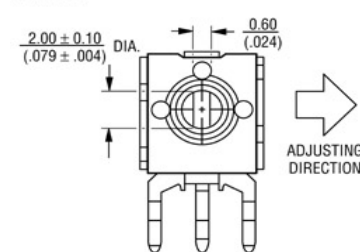


3318K

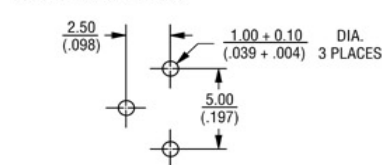
FRONT VIEW



REAR VIEW

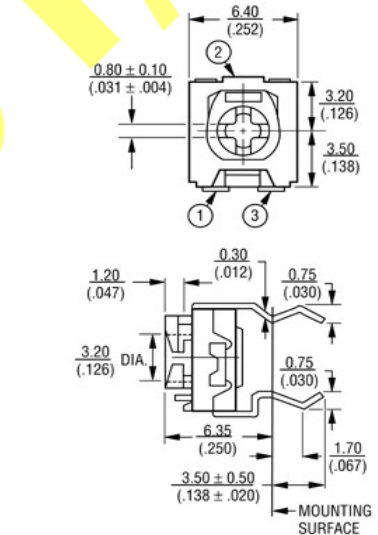


SUGGESTED PWB LAYOUT

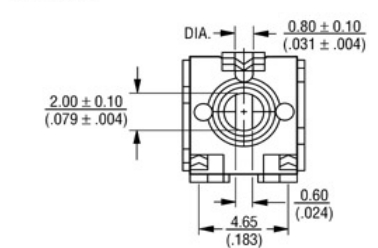


3318F

FRONT VIEW



REAR VIEW



SUGGESTED PWB LAYOUT

