

Trimmer Capacitors

EC10 7mm Ceramic Trimmer Capacitors

ELECSOUND®

Single-Turn / Cermet / Industrial
2 Terminal Styles
Rohs Compliant

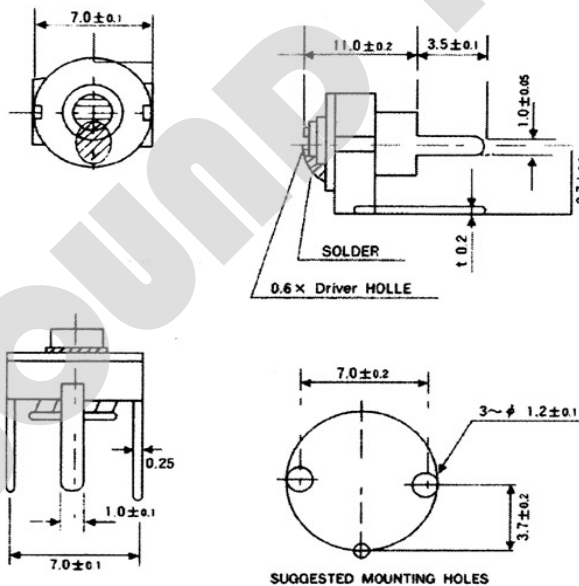
Operating Temperature Range: -25°C to +85°C
Rated Working Voltage: 100VDC
Withstanding Voltage: 500VDC
Insulation Resistance : 100000M ohm min
Raotaion Torque: 40-200g·cm
Soldering Temperature : 250±5°C

Performance Parameters

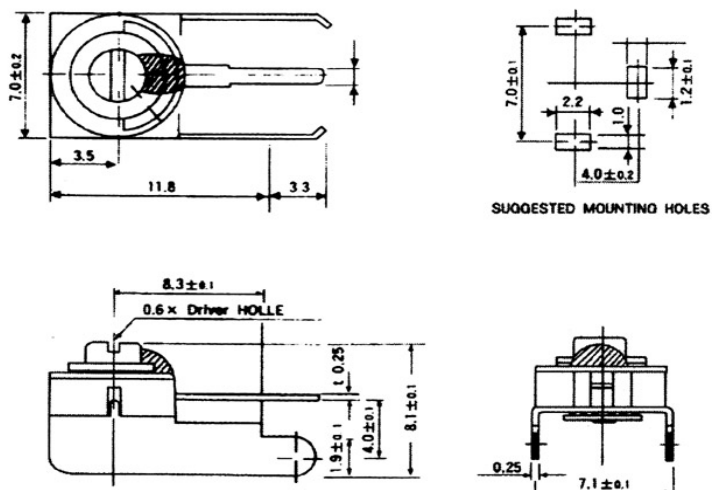
Part No.	Mini. Capacitance(PF)	Max. Capacitance(PF)	Temp. Coeff PPM/°C	Q Factor @ 1MHz Cmax
EC10-050-Style(N,V)	2.0PF max	5.0PF +50% -0%	NP 0 ± 200	>300
EC10-100-Style(N,V)	2.5PF max	10.0PF +50% -0%	NP 0 ± 200	>300
EC10-200-Style(N,V)	3.0PF max	20.0PF +50% -0%	N 470 ± 200	>300
EC10-300-Style(N,V)	4.5PF max	30.0PF +50% -0%	N 550 ± 300	>300
EC10-500-Style(N,V)	6.0PF max	50.0PF +50% -0%	N 1400 ± 300	>300
EC10-700-Style(N,V)	8.5PF max	70.0PF +50% -0%	N 2200 ± 300	>200
EC10-101-Style(N,V)	12.0PF max	100.0PF +50% -0%	N 2200 ± 300	>200

Diameter And Size(Unit: mm)

■ NORMAL TYPE



■ VERTICAL TYPE



ELECSOUND ELECTRONICS COMPANY LIMITED

TEL: 0086-755-83045964

FAX: 0086-755-82948027

Website: www.elecsound.com.cn

Email: sales@elecsound.com.cn