

Trimmer Capacitors

EC11 3mm CHIP Ceramic Trimmer Capacitors

ELECSOUND®

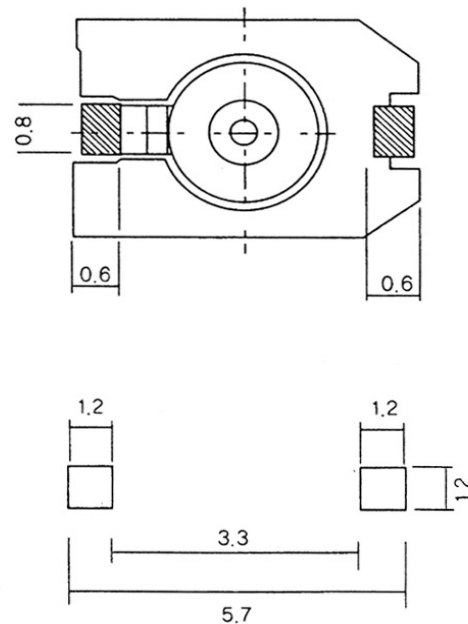
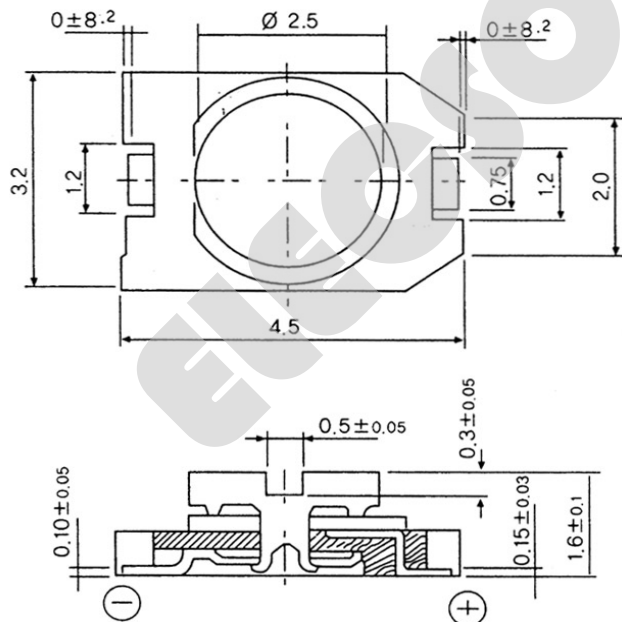
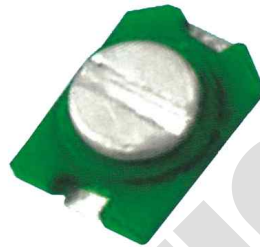
Single-Turn / Cermet / Industrial
SMD Styles
RoHS Compliant

Operating Temperature Range: -25°C to +85°C
Rated Working Voltage: 100VDC
Withstanding Voltage: 220VDC
Insulation Resistance : 100000M ohm min
Raotaion Torque: 25-100g·cm
Soldering Temperature : 250±5°C

Performance Parameters

Part No.	Mini. Capacitance(PF)	Max. Capacitance(PF)	Temperature Coefficient PPM/°C	Q Factor @ 1MHz Cmax
EC11A-030 (Brown)	1.7PFmax	3.0PF +50% -0%	NP 0 ± 300	>500
EC11A-060 (Blue)	2.5PF max	6.0PF +50% -0%	NP 0 ± 300	>500
EC11A-100 (White)	3.5PF max	10.0PF +50% -0%	N 750 ± 300	>500
EC11A-200 (Red)	5.5PF max	20.0PF +50% -0%	N 1200 ± 500	>300
EC11A-300 (Green)	7.0PF max	30.0PF +50% -0%	N 1800 ± 600	>300

Diameter And Size(Unit: mm)



ELECSOUND ELECTRONICS COMPANY LIMITED

TEL: 0086-755-83045964

FAX: 0086-755-82948

Website: www.elecsound.com.cn

Email: sales@elecsound.com.cn

Trimmer Capacitors

EC11 3mm CHIP Ceramic Trimmer Capacitors

ELECSOUND®

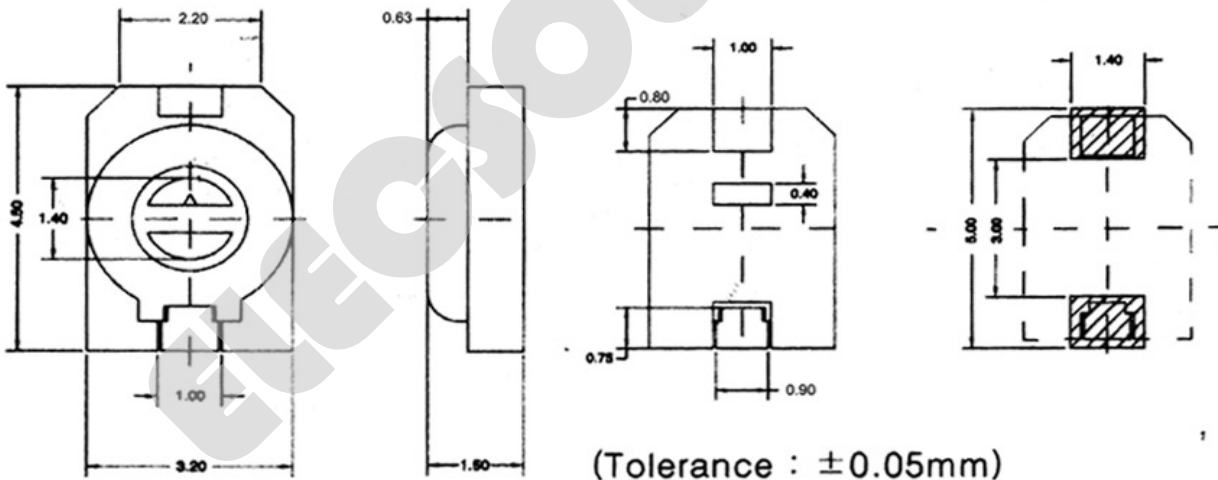
Single-Turn / Cermet / Industrial / Sealed
SMD Styles
RoHS Compliant

Operating Temperature Range: -25°C to +85°C
Rated Working Voltage: 50VDC & 100VDC
Withstanding Voltage: 110VDC & 220VDC
Insulation Resistance : 100000M ohm min
Raotaion Torque: 10-72g·cm
Soldering Temperature : 250±5°C

Performance Parameters

Part No.	Mini. Capacitance(PF)	Max. Capacitance(PF)	Temperature Coefficient PPM/°C	Q Factor @ 1MHz Cmax
EC11B-030 (Black)	1.5PF max	3.0PF +50% -0%	N 470 ± 60	>300
EC11B-060 (Blue)	2.0PF max	6.0PF +50% -0%	N 470 ± 60	>500
EC11B-100 (White)	3.0PF max	10.0PF +50% -0%	N 1000 ± 250	>500
EC11B-200 (Pink)	5.0PF max	20.0PF +50% -0%	N 1000 ± 250	>500
EC11B-300 (Green)	6.5PF max	30.0PF +50% -0%	N 1200 ± 250	>500
EC11B-400 (Green)	7.0PF max	40.0PF +50% -0%	N 1200 ± 250	>500

Diameter And Size(Unit: mm)



ELECSOUND ELECTRONICS COMPANY LIMITED

TEL: 0086-755-83045964

FAX: 0086-755-82948

Website: www.elecsound.com.cn

Email: sales@elecsound.com.cn

Trimmer Capacitors

EC11 3mm CHIP Ceramic Trimmer Capacitors

ELECSOUND®

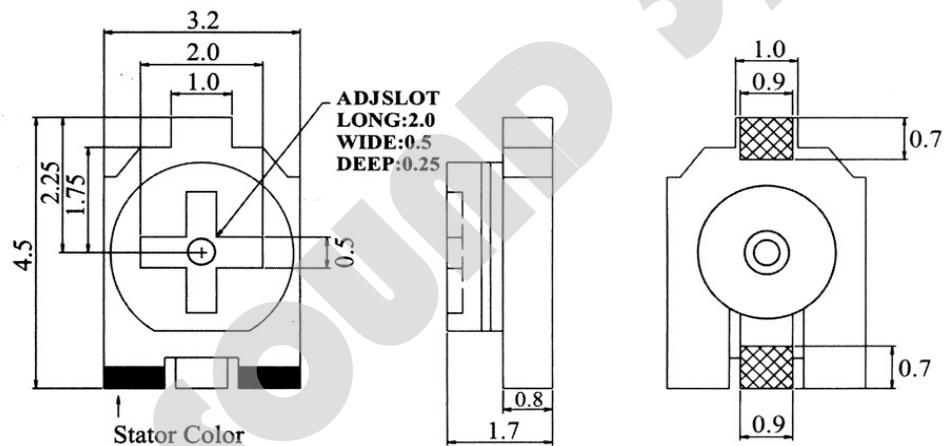
Single-Turn / Cermet / Industrial / Sealed
SMD Styles
Cross Slot
RoHS Compliant

Operating Temperature Range: -25°C to +85°C
Rated Working Voltage: 100VDC
Withstanding Voltage: 220VDC
Insulation Resistance : 100000M ohm min
Raotaion Torque: 10-150g·cm
Soldering Temperature : 250±5°C

Performance Parameters

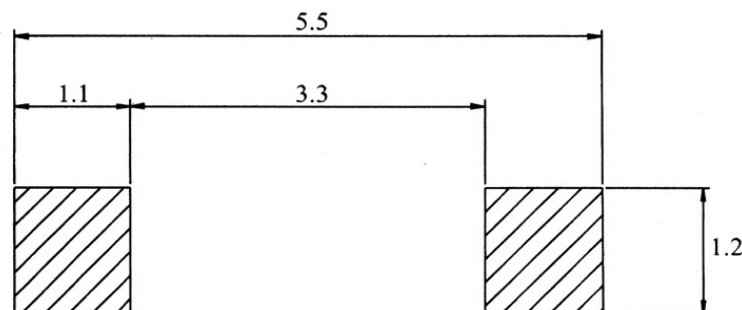
Part No.	Mini. Capacitance(PF)	Max. Capacitance(PF)	Temperature Coefficient PPM/°C	Q Factor @ 1MHz Cmax
EC11C-030 (Black)	1.7PF max	3.0PF +50% -0%	NPO ± 300	>500
EC11C-060 (Blue)	2.5PF max	6.0PF +50% -0%	NPO ± 300	>500
EC11C-100 (White)	3.0PF max	9.0PF +50% -0%	N 400 ± 400	>500
EC11C-200 (Red)	5.0PF max	18.0PF +50% -0%	N 900 ± 400	>300
EC11C-300 (Green)	6.0PF max	27.0PF +50% -0%	N 1200 ± 500	>300

Diameter And Size(Unit: mm)



Unit:mm

DIMENSIONS & CONFIGURATIONS



Unit:mm

RECOMMENDED LAND LAYOUT

ELECSOUND ELECTRONICS COMPANY LIMITED

TEL: 0086-755-83045964

FAX: 0086-755-82948

Website: www.elecsound.com.cn

Email: sales@elecsound.com.cn