

Ceramic Capacitors

EC1 Low Voltage Disc Ceramic Capacitor

EIECSOUND®

Features:

Have various category of T.C are available for by-passing,coupling, low DF and resonant circuit of low stability capacitance



Operating Temperature Range, please consider EIA code
Capacitance Range

Dmax(mm)		(Capacitance Range)PF			
Dimension		Y5P	Y5U	Y5V	Z5Y
5.0	Test Voltage (UR =50 V)	100-1200	470-1500	2200-4700	1000-5600
6.0		1500-2200	2200-4700	5600-10000	6800-10000
7.0		2700-3300	3600-6800	8200-15000	15000-22000
8.0		3600-4700	6800-10000	20000-22000	22000-25000
9.0		5100-6800	15000	25000	30000-100000
10.0		7500-10000	22000	33000	47000-200000
12.0				33000	47000
14.0			47000		
6.0	Test Voltage (UR =50 V)	100-680	470-1000	1000-1500	1500-2200
8.0		820-1200	1500-2000	2200-3300	3300-5600
10.0		1500-2200	2200-3000	4700-6800	6800-8200
12.0		2200-4700	3300-5600	8200-10000	10000-15000
14.0		3300-6800	6800-10000	15000	22000
16.0		8200-10000			

operating Voltage: 50-500V

Test Voltage:2.5UR.

I.R:Insulation resistance $R_i \geq 4000M\Omega$.

tangent of loss angel: Y5P: $tg\delta \leq 0.025$ Y5U Z5U: $tg\delta \leq 0.030$ Y5V Z5V: $tg\delta \leq 0.035$

Capacitor Type Code

Type

CC1: Low voltage temperature compensated disk ceramic capacitor

CT1: Low voltage high dielectric constant disk ceramic capacitor

CS1: Semiconductor dielectric insulator disk ceramic capacitor

Rated voltage

Letter symbol	D	E	F	G	J	K	L
rated voltage	16V	25V	50V	100V	160V	250V	500V
Letter symbol	N	M	P	Q	X	Y	
rated voltage	1KV	2KV	3KV	4KV	250VAC	400VAC	

Diameter

symbol	4	5	6	7	8	9	10	12
diameter(mm)	4.0	5.0	6.0	7.0	8.0	9.0	10.0	12.0

Temperature coefficient:Please consider temperature characteristics and EIA code

Lead style

symbol

- 1 Straight lead (length 23mm)
- 2 Straight lead (length 17mm)
- 3 Cutting lead (short lead)
- 4 Tape straight lead
- 5 Tape small inside kink
- 6 Tape large inside kink
- 7 Double inside kinks
- 8 Double outside kinks
- 9 Outside kink

EIECSOUND ELECTRONICS COMPANY LIMITED

TEL: 0086-755-83045964

FAX: 0086-755-82948027

Website: www.eiecsound.com.cn

Email:sales@eiecsound.com.cn

Ceramic Capacitors

EC1 Low Voltage Disc Ceramic Capacitor

EIECSOUND®

Lead Spacing

symbol	Lead spacing(mm)
A	2.5 ±0.5
B	5.0± 0.5
C	7.5± 0.5
D	10.0± 0.5

Standard capacitance

IR0	1PF	Note: The unit of standard capacitance if consisting of 3 digits, the first and second digits stand for effective value of the Standard capacitance;third digit indicates the number of zeros; R indicates decimal.
4R7	4.7PF	
100	10PF	
560	56PF	
821	820PF	
102	1000PF	

Capacitance tolerance, Please consider EIA code

Code	J	K	M	S	Z
Tolerance	±5%	±10%	±20%	+50%/-20%	+80%/-20%

Packing style		Enclosure style	
symbo	Packing style	code	Enclosure style
T	Tape	E	Epoxy resin
S	bulk	P	Phenol resin

TEMPERATURE CHARACTERISTICS

Material temperature coefficient tolerance

X10 /°C	Materials	EIA Code	JIS GB Code
0±60	NP0	COH	CH
-750± 120	N750	U ₂ J	UJ or U ₂ J
(+ 140--1000	P140 N1000(SL)	S ₂ L	SL or S ₂ L

EIA CODE

The First Letter	The Second Letter	The Third Letter
Y: 25°C	5:+85°C	P:± 10%
Z:+10°C	7:+125°C	R:± 15%
		U:+22% -56%
		V:+22% -82%

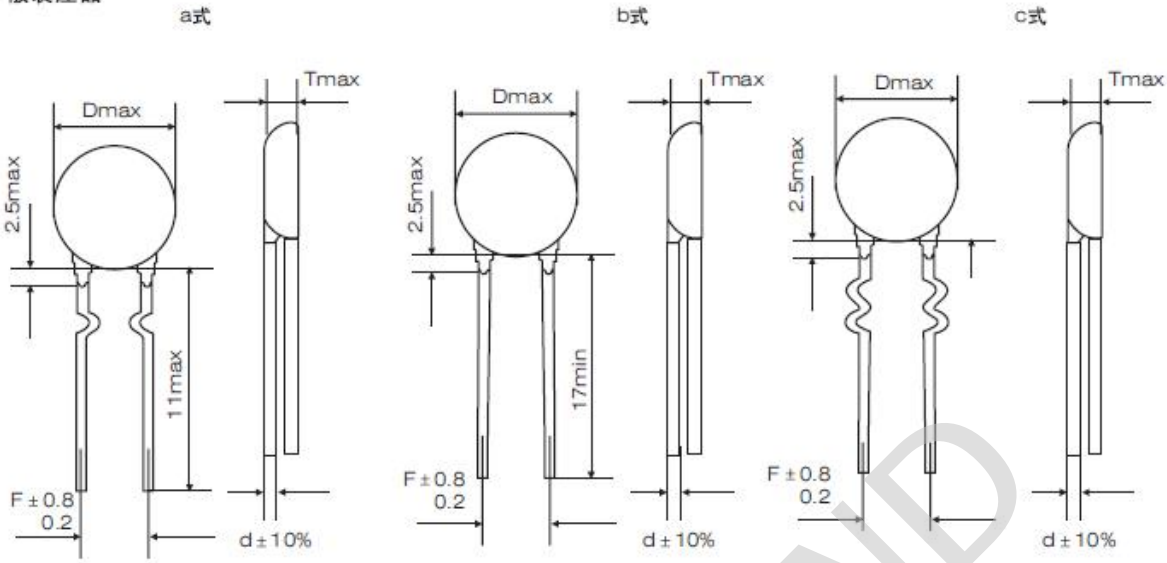
Ceramic Capacitors

EC1 Low Voltage Disc Ceramic Capacitor

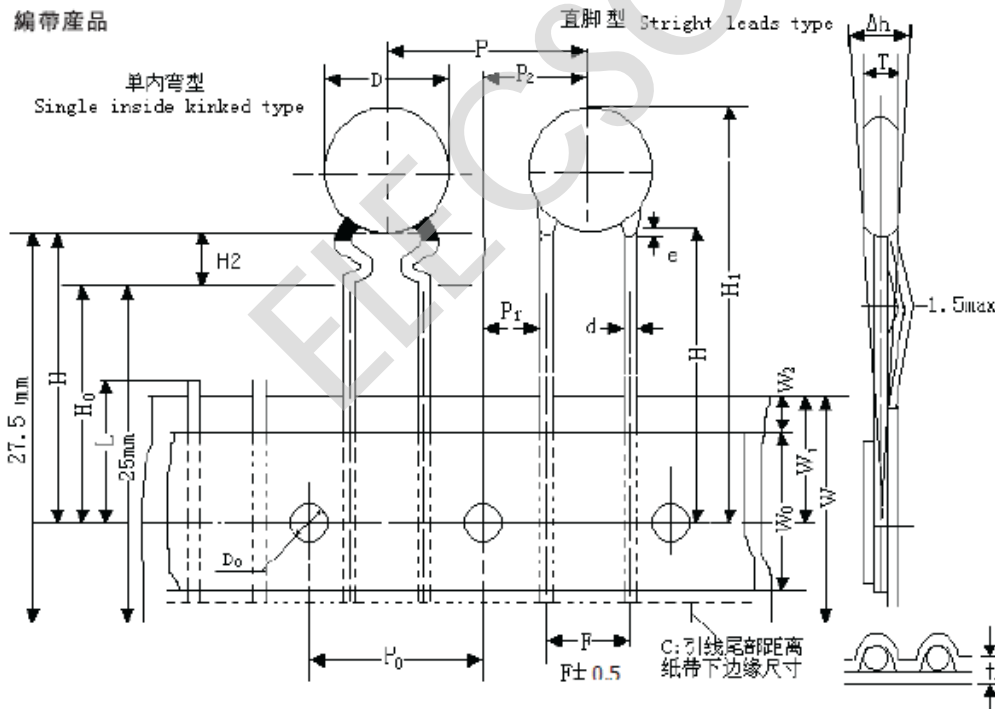
EIECSOUND®

DIMENSIONS

散装产品



编带产品



NOTE: Lead style and distance are fit of JIS and EIA standard. Other we can produce with customers requirement.

EIECSOUND ELECTRONICS COMPANY LIMITED

TEL: 0086-755-83045964

FAX: 0086-755-82948027

Website: www.eiecsound.com.cn

Email: sales@eiecsound.com.cn