

Ceramic Capacitors

EC2 High Voltage Disc Ceramic Capacitor

ELECSOUND®

CERAMIC DISC CAPACITOR

CC81 (High voltage Temperature compensated capacitor) series ceramic DISC capacitor



FEATURE:

Low DF, stable capacitance, suits for pulse circuit, resonant circuit and temperature compensated circuit.

Operating Temperature Range -25°C - + 85°C

Capacitance Range

DMax (mm) Dimension	(Capacitance Range) PF				operating voltage
	NPO (CH)	N470 (TH)	N750 (UJ)	SL	
6.0	5~33	15~56	22~68	47~68	1KV
8.0	47~56	56~82	68~82	82~100	
10.0	68~82	82~100	100~120	120~220	
12.0	82~100	100~150	150~180	330~470	
6.0	5~22	10~47	15~56	33~56	2KV
8.0	33~47	56~82	56~82	68~100	
10.0	56~68	82~100	82~100	100~150	
12.0	68~82	—	100~120	—	

Test Voltage: 1.5UR 500V.

I.R: Insulation resistance $R_i \gg 10000M\Omega$.

tangent of loss angel:

$C > 30PF: tg\delta \ll 0.0015$

$5pF: \leq C \leq 30PF: tg\delta \leq 1/(400 + 20C)$

$C < 5pF$

Please consult your requirements to factory

Capacitor Type Code

CC81	High voltage temperature compensated disk ceramic capacitor
CT81	High voltage high dielectric constant disk ceramic capacitor
CT7	Alternating current disk ceramic capacitor

Rated voltage

Letter symbol	D	E	F	G	J	K
rated voltage	16V	25V	50V	100V	160V	250V
Letter symbol	L	M	P	Q	X	Y
rated voltage	500V	2KV	3KV	4KV	250VAC	400VAC

Diameter

symbol	4	5	6	7	8	9	10	11	12
diameter(mm)	4.0	5.0	6.0	7.0	8.0	9.0	10.0	11.0	12.0

Temperature coefficient: Please consider temperature characteristics and EIA code

Lead style symbol	Style
1	Straight lead (length 23mm)
2	Straight lead (length 17mm)
3	Cutting lead (short lead)
4	Tape straight lead
5	Tape small inside kink
6	Tape large inside kink
7	Double inside kinks
8	Double outside kinks
9	Outside kink

Lead Spacing	Lead spacing(mm)
A	
B	2.5±0.5
C	5.0±0.5
D	7.5±0.5
E	10.0±0.5

ELECSOUND ELECTRONICS COMPANY LIMITED

TEL: 0086-755-83045964

FAX: 0086-755-82948027

Website: www.elecsound.com.cn

Email: sales@elecsound.com.cn

Ceramic Capacitors

EC2 Disc Ceramic Capacitor High Voltage

EIECSOUND®

Standard capacitance

1R0	1PF	Note: The unit of standard capacitance if consisting of 3 digits, the first and second digits stand for effective value of the Standard capacitance; third digit indicates the number of zeros; R indicates decimal.
4R7	4.7PF	
100	10PF	
560	56PF	
821	820PF	
102	1000PF	

Capacitance tolerance. Please consider EIA code

Code	J	K	M	S	Z
Tolerance	±5%	±10%	±20%	+50%/-20%	+80%/-20%

Packing style

symbol	Packing style
T	Tape
S	bulk

Enclosure style

code	Enclosure style
E	Epoxy resin
P	Phenol resin

11.W- Lead-Free

TEMPERATURE CHARACTERISTIC

0 ±60	NP0	C0H	CH
(-750±120	N750	U2J	UJ or U2J
(+140 -1000	P140 -N1000(SL)	S2L	SL or S2L

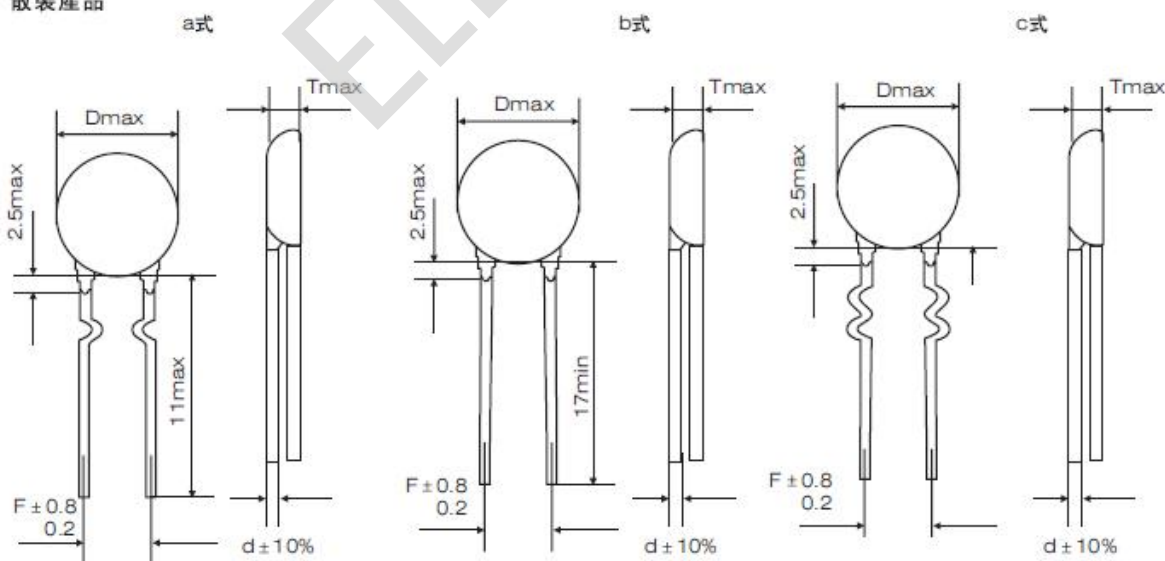
CERAMIC DISC CAPACITOR

EIA EIA CODE

The First Letter	The Second Letter	The Third Letter
Y: -25°C	5: +85°C	P: ±10%
Z: +10°C	7: +125°C	R: ±15%
		U: +22% - 56%
		V: +22% - 82

DIMENSIONS

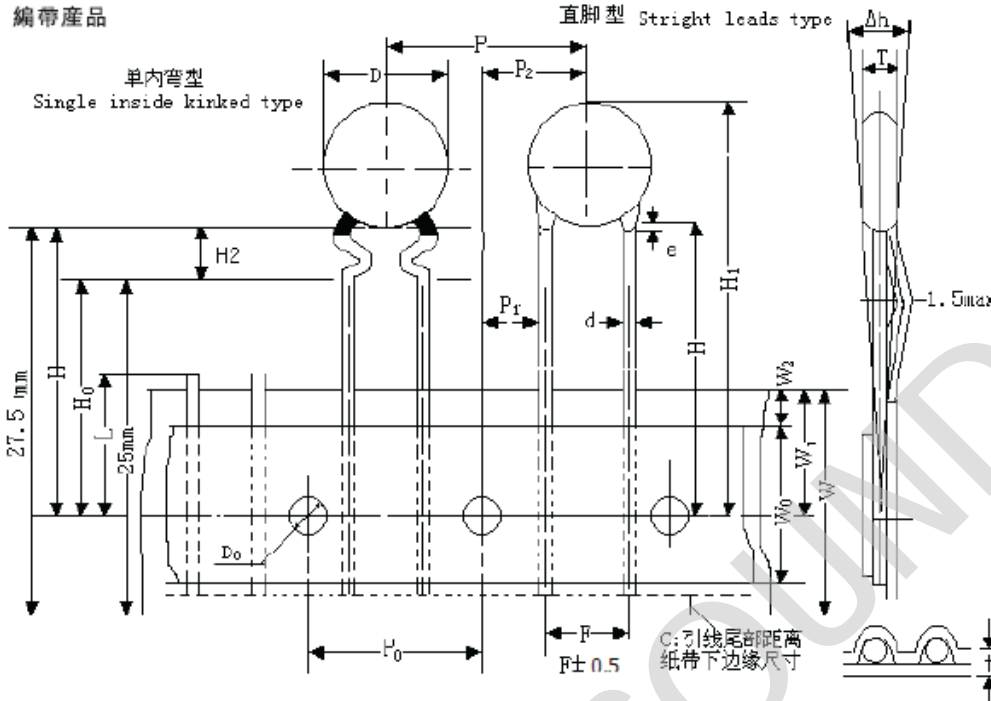
散裝產品



Ceramic Capacitors

EC2 Disc Ceramic Capacitor High Voltage

ELECSOUND®



NOTE: Lead style and distance are fit of JIS and EIA standard. Other we can produce with customers requirement.

CERAMIC DISC CAPACITOR

CC81 (High voltage Temperature compensated capacitor) series ceramic DISC capacitor

FEATURE:

Low DF, stable capacitance, suits for pulse circuit, resonant circuit and temperature compensated circuit.

Operating Temperature Range -25°C - + 85°C

Capacitance Range		(Capacitance Range) PF				operating voltage
DMax (mm) Dimension	NPO (CH)	N470 (TH)	N750 (UJ)	SL		
6.0	5~33	15~56	22~68	47~68	1KV	
8.0	47~56	56~82	68~82	82~100		
10.0	68~82	82~100	100~120	120~220		
12.0	82~100	100~150	150~180	330~470		
6.0	5~22	10~47	15~56	33~56	2KV	
8.0	33~47	56~82	56~82	68~100		
10.0	56~68	82~100	82~100	100~150		
12.0	68~82	—	100~120	—		