

Film Capacitors

EF7 - CBB21 Metallized Polypropylene Film Capacitors

ELECSOUND®

CBB21 are non-inductively wound with metallized polypropylene film as dielectric/electrode with copper-clad steel leads and epoxy resin coating.

Features:

- Very low loss at high frequency
- Small inherent temperature rise
- High insulation resistance, excellent self-healing property and long life
- Widely used in high frequency, DC, AC, pulse circuits and s-correction circuits.

Technical Specifications:

Reference Standard: GB10190 (IEC60384-16)

Climatic Category: 40/85/21

Rated Voltage: 250V, 400V, 630V

Capacitance Range: 0.0047 ~ 4.7μF

Capacitance Tolerance: ±5% (J) ; ±10% (K)

Voltage Proof: 1.6UR (2S)

Dissipation Factor: ≤0.002 (20°C, 1 KHz)

Insulation Resistance:

Ur > 100V, Cr ≤ 0.33μF, ≥ 100000M OHM (1 Class) (20°C, 1 min)

≥ 25000M OHM (2 Class) (20°C, 1 min)

Cr > 0.33μF, ≥ 30000S (1 Class) (20°C, 1 min)

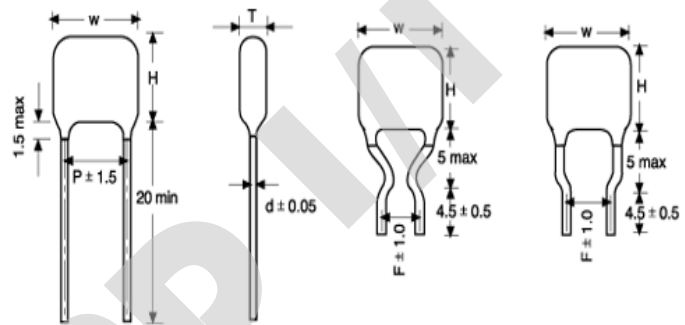
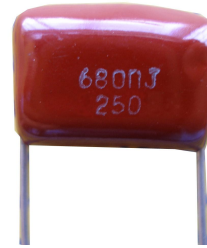
≥ 7500S (2 Class) (20°C, 1 min)

Ur ≤ 100V, Cr ≤ 0.33μF, ≥ 50000M OHM (1 Class) (20°C, 1 min)

≥ 12500M OHM (2 Class) (20°C, 1 min)

Cr > 0.33μF, ≥ 15000S (1 Class) (20°C, 1 min)

≥ 3750S (2 Class) (20°C, 1 min)



Dimensions: (mm)

μF	250VDC					μF	400VDC					μF	630VDC				
	W	H	T	P	d		W	H	T	P	d		W	H	T	P	d
0.0047	13	9	4	10	0.6	0.0047	13	8.5	4	10	0.6	0.0047	13	8.5	4	10	0.6
0.0056	13	8.5	4	10	0.6	0.0056	13	8.5	4	10	0.6	0.0056	13	8.5	4	10	0.6
0.0068	13	8.5	4	10	0.6	0.0068	13	8.5	4	10	0.6	0.0068	13	8.5	4	10	0.6
0.0082	13	9.5	4	10	0.6	0.0082	13	9.5	4	10	0.6	0.0082	13	9.5	4	10	0.6
0.01	13	10	4.5	10	0.6	0.01	13	10	4.5	10	0.6	0.01	13	10	4.5	10	0.6
0.012	13	10	4.5	10	0.6	0.012	13	10	4.5	10	0.6	0.012	13	10	4.5	10	0.6
0.015	13	10	4.5	10	0.6	0.015	13	10	4.5	10	0.6	0.015	13	10	4.5	10	0.6
0.018	13	10	4.5	10	0.6	0.018	13	10	5	10	0.6	0.018	13	10	5	10	0.6
0.022	13	10	5	10	0.6	0.022	13	10	5	10	0.6	0.022	13	10	5	10	0.6
0.027	13	10.5	5	10	0.6	0.027	13	10.5	5	10	0.6	0.027	13	10.5	5	10	0.6
0.033	13	10.5	5.5	10	0.6	0.033	13	10.5	5.5	10	0.6	0.033	13	10.5	5.5	10	0.8
0.039	13	10.5	5	10	0.6	0.039	13	10.5	5	10	0.6	0.039	13	11.5	6	10	0.8
0.047	13	10.5	5	10	0.6	0.047	13	10.5	5	10	0.6	0.047	13	12	6.5	10	0.8
0.056	13	10.5	5	10	0.6	0.056	13	10.5	5	10	0.6	0.056	13	12.5	7	10	0.8
0.068	13	11	5.5	10	0.6	0.068	13	11	5.5	10	0.6	0.068	18	11	6	15	0.8
0.082	13	11.5	6.5	10	0.6	0.082	13	11.5	6.5	10	0.8	0.082	18	12.5	6	15	0.8
0.1	13	12	7	10	0.6	0.1	13	12	7	10	0.8	0.1	18	13	6.5	15	0.8
0.15	18	11	6	15	0.8	0.15	18	11	6	15	0.8	0.15	18	14	7.5	15	0.8
0.18	18	12	6.5	15	0.8	0.18	18	11.5	6.5	15	0.8	0.18	18	15.5	8.5	15	0.8
0.22	18	11.5	6	15	0.8	0.22	18	13.5	7	15	0.8	0.22	24	14	7.5	20	0.8
0.27	18	13	6	15	0.8	0.27	18	14.5	7.5	15	0.8	0.27	24	15.5	8.5	20	0.8
0.33	18	13.5	7	15	0.8	0.33	18	15	8.5	15	0.8	0.33	24	16	9	20	0.8
0.39	18	14.5	7.5	15	0.8	0.39	18	15.5	9	15	0.8	0.39	24	17	9.5	20	0.8
0.47	24	14	7	20	0.8	0.47	24	15	8.5	20	0.8	0.47	24	18.5	10.5	20	0.8
0.56	24	14.5	7.5	20	0.8	0.56	24	15.5	9	20	0.8	0.56	24	19.5	11	20	0.8
0.68	24	15	8.5	20	0.8	0.68	24	17	10.5	20	0.8	0.68	24	20.5	12.5	20	0.8
0.82	24	16	9	20	0.8	0.82	24	18.5	10.5	20	0.8	0.82	24	22	13.5	20	0.8
1	24	17	10	20	0.8	1	24	19.5	11.5	20	0.8	1	30	22.5	14	20	0.8
1.2	24	19	10.5	20	0.8	1.2	24	20.5	12.5	20	0.8	1.2	30	23	14.5	20	0.8
1.5	24	20.5	12	20	0.8	1.5	30	21	12.5	26	0.8	1.5	36	23.5	15	31	0.8
1.8	30	19.5	11	26	0.8	1.8	30	22	13.5	26	0.8	1.8	36	24	16	31	0.8
2.2	30	21	12.5	26	0.8	2.2	36	22	13.5	31	0.8	2.2	36	28	17.5	31	0.8
3.3	36	23	13	31	0.8	3.3	36	25	15.5	31	0.8	3.3	36	32	22	31	0.8
4.7	36	26	16	31	0.8	4.7	36	27.5	17.5	31	0.8	4.7	46	32.5	22.5	41	0.8

Note: Capacitors of special specifications are made according to customer's need.

ELECSOUND ELECTRONICS COMPANY LIMITED

TEL: 0086-755-83045964 FAX: 0086-755-82948027

Website: www.elecsound.com.cn

Email: sales@elecsound.com.cn