

Chip Aluminum Electrolytic Capacitors

EAS4 - Bi-Polar 85°C Aluminum Electrolytic Capacitors

ELECSOUND®

Features:

Bi-polar with general temperature 85°C.

Emboss carrier tape packing system is available for automatic insertion.

Available for reflow soldering

Available for high density surface mounting

Designed for surface mounting on density circuit board.

Load life of 2000 hours at 85 °C

Rohs Compliant

Specifications:

Operating Temperature Range(°C): -40~+85

Rated Voltage Range(V): 6.3~50V

Nominal Capacitance Ranges(μF): 0.1~220

Capacitance Tolerance(20 °C,120Hz) : 20%

Leakage current (μ After 2 minutes' application of rated voltage, leakage current is not more than 0.002CV or 0.5(μA), whichever is greater.

Resistance to Soldering Heat

Capacitance Change	Within ±10% of the initial value
Tanδ	Initial specified value or less
Leakage Current	Initial specified value or less

Dissipation Factor(25 °C,120Hz)

Rated voltage (V.DC)	6.3	10	16	25	35	50
Tanδ (max)	0.24	0.2	0.17	0.17	0.15	0.15

Measurement frequency: 120Hz, Temperature: 20°C

Stability at Low Temperature (Measurement frequency: 120Hz)

Rated voltage (V.DC)		6.3	10	16	25	35	50
Impedance ratio ZT/Z20 (max)	Z(-25°C)/Z(20°C)	4	3	2	2	2	2
	Z(-40°C)/Z(20°C)	8	6	4	4	3	3

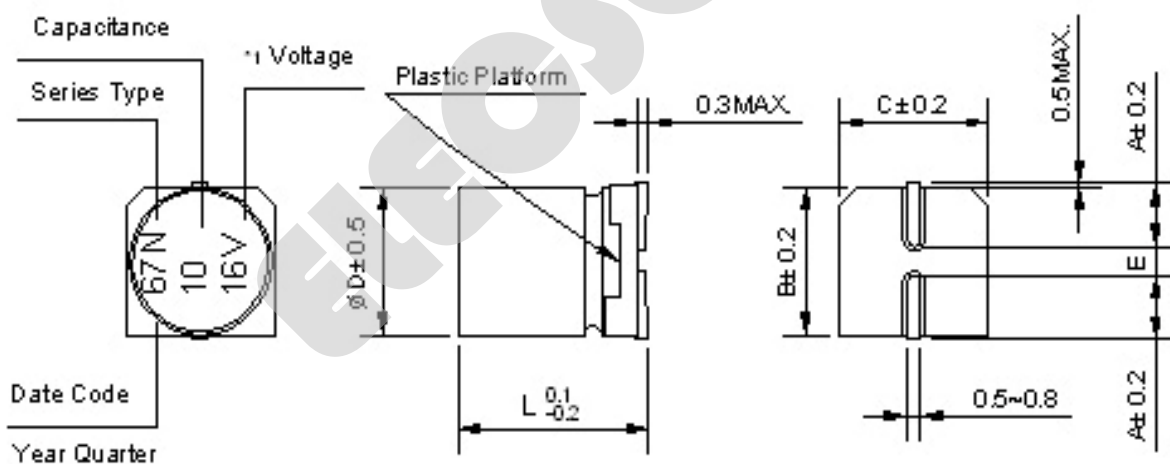
Load Life(+85 °C)

Time	1000 hours
Leakage Current	Not more than the specified value.
Capacitance Change	Within ±25% of the initial value.
Dissipation Factor	Not more than 200% of the specified value.

Shelf Life(+85 °C)

Time	1000 hours
Leakage Current	Not more than the specified value.
Capacitance Change	Within ±10% of the initial value.
Dissipation Factor	Not more than 200% of the specified value.

Dimensions : (Unit:MM)



D×L	4×5.4	5×5.4	6.3×5.4	6.3×7.7
A	1.8	2.1	2.4	2.4
B	4.3	5.3	6.6	6.6
C	4.3	5.3	6.6	6.6
E ± 0.2	1	1.3	2.2	2.2
L	5.4	5.4	5.4	7.7

Chip Aluminum Electrolytic Capacitors

EAS4 - Bi-Polar 85°C Aluminum Electrolytic Capacitors

ELECSOUND®

Frequency Correction Factor of Rated Ripple Current

Frequency	50Hz	120Hz	300Hz	1kHz	10kHz~
Coefficient	0.7	1	1.17	1.36	1.5

Standard size & Maximum permissible ripple current

WV		6.3		10		16		25		35		50	
		0J		1A		1C		1E		1V		1H	
Cap. (μF)		Case Size	Ripple Current	Case Size	Ripple Current	Case Size	Ripple Current	Case Size	Ripple Current	Case Size	Ripple Current	Case Size	Ripple Current
0.1	0R1	-	-	-	-	-	-	-	-	-	-	4×5.4	1
0.22	R22	-	-	-	-	-	-	-	-	-	-	4×5.4	2
0.33	R33	-	-	-	-	-	-	-	-	-	-	4×5.4	2.8
0.47	R47	-	-	-	-	-	-	-	-	-	-	4×5.4	4
1	10	-	-	-	-	-	-	-	-	-	-	4×5.4	8.4
2.2	2R2	-	-	-	-	-	-	-	-	4×5.4	8.4	5×5.4	13
3.3	3R3	-	-	-	-	-	-	5×5.4	12	5×5.4	16	5×5.4	17
4.7	4R7	-	-	-	-	4×5.4	12	5×5.4	16	5×5.4	18	6.3×5.4	20
10	100	-	-	4×5.4	17	5×5.4	23	6.3×5.4	27	6.3×5.4	29	6.3×7.7	36
22	220	5×5.4	28	6.3×5.4	33	6.3×5.4	37	6.3×7.7	50	6.3×7.7	54	-	-
33	330	6.3×5.4	37	6.3×5.4	41	6.3×5.4	49	6.3×7.7	61	-	-	-	-
47	470	6.3×5.4	45	6.3×7.7	61	6.3×7.7	75	-	-	-	-	-	-
100	101	6.3×7.7	82	6.3×7.7	85	-	-	-	-	-	-	-	-

Ripple Current (mA rms) at 85°C 120Hz