

Chip Aluminum Electrolytic Capacitors

EAS6 - Low Impedance 105°C Aluminum Electrolytic Capacitors

ELECSOUND®

Features:

Low impedance with temperature range -55°C to +105°C and load life of 1000~2000 hours.

Emboss carrier tape packing system is available for automatic insertion.

Available for reflow soldering

Designed for surface mounting on density circuit board.

High stability and reliability

Available for high density surface mounting

Rohs Compliant

Specifications:

Operating Temperature Range(°C): -55~+105

Rated Voltage Range(V): 6.3~50V

Nominal Capacitance Ranges(μF): 1~4700

Capacitance Tolerance(20 °C,120Hz) : 20%

Leakage current Φ4~Φ10: <0.01CV or 3uA whichever is greater(at 25 °C ,after 2 minutes)

(μA): Φ12.5~Φ16: <0.03CV or 4uA whichever is greater(at 25 °C ,after 1 minutes)

Resistance to Soldering Heat

Capacitance Change	Within ±10% of the initial value
Tanδ	Initial specified value or less
Leakage Current	Initial specified value or less

Dissipation Factor(25 °C,120Hz)

Rated Voltage (V)	6.3	10	16	25	35	50	
tan δ	Φ4~Φ10	0.22	0.19	0.16	0.14	0.12	0.12
	Φ12.5~Φ16	0.26	0.22	0.18	0.16	0.14	0.12

Stability at Low Temperature (Measurement frequency: 120Hz)

Rated voltage (V.DC)		6.3	10	16	25	35	50	
Impedance ratio ZT/Z20 (max)	Φ4~Φ10	Z(-25°C)/Z(20°C)	2	2	2	2	2	2
		Z(-40°C)/Z(20°C)	5	4	4	3	3	3
	Φ12.5~Φ16	Z(-25°C)/Z(20°C)	3	2	2	2	2	2
		Z(-40°C)/Z(20°C)	10	8	6	4	3	3

Load Life(+105 °C)

Time	2000 hours (1000 hours' for Φ4~Φ10)
Leakage Current	Not more than the specified value.
Capacitance Change	Within ±20% of the initial value
Dissipation Factor	Not more than 200% of the specified value.

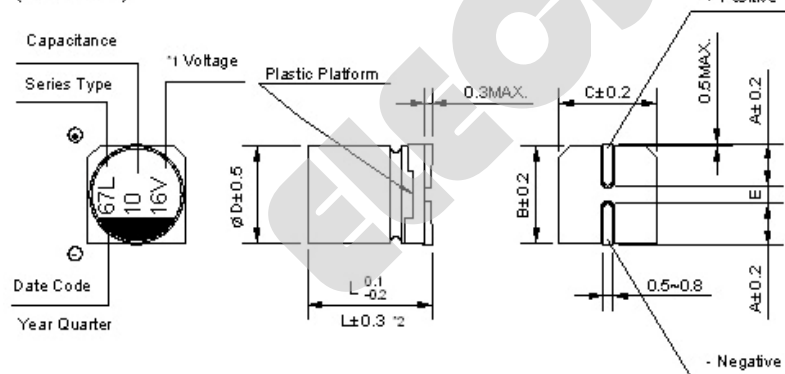
Shelf Life(+105 °C)

Time	1000 hours
Leakage Current	Not more than the specified value.
Capacitance Change	Within ±15% of the initial value.
Dissipation Factor	Not more than 200% of the specified value.

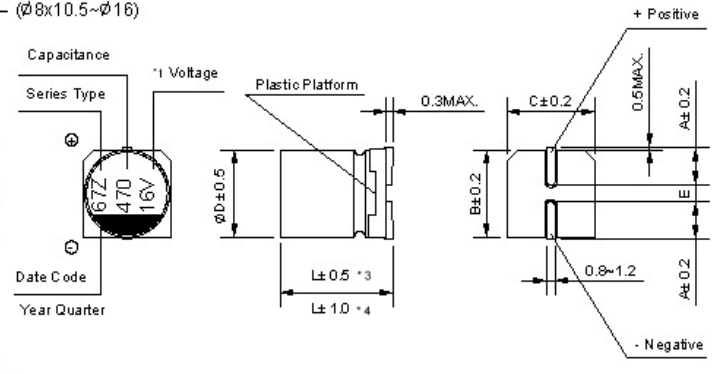
After test:Rated Voltage to be applied for 30 minutes, 24 to 48 hours before measurement.

Dimensions (Unit MM)

(Φ 4~Φ 8x 6.2)



(Φ 8x10.5~Φ 16)



D×L	4×5.4	5×5.4	6.3×5.4	6.3×7.7	8×6.2	8×10.5	10×10.5	10×13.5	12.5×13.5	12.5×16	16×16.5
A	1.8	2.1	2.4	2.4	3.3	2.9	3.2	3.2	4.7	4.7	5.5
B	4.3	5.3	6.6	6.6	8.3	8.3	10.3	10.3	12.8	12.8	16.3
C	4.3	5.3	6.6	6.6	8.3	8.3	10.3	10.3	12.8	12.8	16.3
E ± 0.2	1	1.3	2.2	2.2	2.2	3.1	4.4	4.4	4.4	4.4	6.7
L	5.4	5.4	5.4	7.7	6.2	10.5	10.5	13.5	13.5	16	16.5

Chip Aluminum Electrolytic Capacitors

EAS6 - Low Impedance 105°C Aluminum Electrolytic Capacitors

ELECSOUND®

Frequency Correction Factor of Rated Ripple Current

Frequency		50Hz	120Hz	300Hz	1kHz	10kHz~
Capacitance (μF)						
Φ4~Φ10	1~68	0.35	0.5	0.64	0.83	1
	100~2200	0.4	0.55	0.7	0.85	1
Φ12.5~Φ16	~688	0.45	0.65	0.8	0.9	1
	1000~4700	0.65	0.85	0.95	1	1

Standard size & Maximum permissible ripple current

WV		6.3			10			16		
		0J			1A			1C		
Cap. (μF)		Case Size	Impedance	Ripple Current	Case Size	Impedance	Ripple Current	Case Size	Impedance	Ripple Current
10	100	-	-	-	-	-	-	4×5.4	3	60
15	150	-	-	-	-	-	-	5×5.4	1.8	95
		-	-	-	-	-	-	(4×5.4)	-3	-60
22	220	4×5.4	3	60	5×5.4	1.8	95	5×5.4	1.8	95
					(4×5.4)	-3	-60	(4×5.4)	-3	-60
33	330	5×5.4	1.8	95	5×5.4	1.8	95	6.3×5.4	1	140
		(4×5.4)	-3	-60	(4×5.4)	-3	-60	(5×5.4)	-1.8	-95
47	470	5×5.4	1.8	95	6.3×5.4	1	140	6.3×5.4	1	140
		(4×5.4)	-3	-60	(5×5.4)	-1.8	-95	(5×5.4)	-1.8	-95
68	680	6.3×5.4	1	140				6.3×7.7	0.6	230
		(5×5.4)	-1.8	-95	6.3×5.4	1	140	(6.3×5.4)	-1	-140
		-	-	-				(8×6.2)	-0.6	-230
100	101	6.3×5.4	1	140	6.3×7.7	0.6	230	6.3×7.7	0.6	230
		(5×5.4)	-1.8	-95	(6.3×5.4)	-1	-140	(6.3×5.4)	-1	-140
		-	-	-	(8×6.2)	-0.6	-230	(8×6.2)	-0.6	-230
150	151	6.3×7.7	0.6	230	6.3×7.7	0.6	230			
		(6.3×5.4)	-1	-140	(6.3×5.4)	-1	-140	6.3×7.7	0.6	230
		-	-	-	(8×6.2)	-0.6	-230			
220	221	6.3×7.7	0.6	230	6.3×7.7	0.6	230	8×10.5	0.3	450
		(6.3×5.4)	-1	-140	(8×6.2)	-0.6	-230	(6.3×7.7)	-0.6	-230
		(8×6.2)	-0.6	-230				(8×6.2)	-0.6	-230
330	331	6.3×7.7	0.6	230	10×10.5	0.15	670	10×10.5	0.15	670
		(8×6.2)	-0.6	-230	(8×10.5)	-0.3	-450	(8×10.5)	-0.3	-450
470	471				10×10.5	0.15	670	10×10.5	0.15	670
		8×10.5	0.3	450	(8×10.5)	-0.3	-450	(8×10.5)	-0.3	-450
680	681	8×10.5	0.3	450	10×10.5	0.15	670	10×10.5	0.15	670
1000	102	10×10.5	0.15	670				10×13.5	0.13	750
		(8×10.5)	-0.3	-450	10×10.5	0.15	670	(10×10.5)	-0.15	-670
1500	152	10×13.5	0.13	750	12.5×13.5	0.11	820	12.5×13.5	0.11	820
		(10×10.5)	-0.15	-670	(10×13.5)	-0.13	-750			
2200	222	12.5×13.5	0.11	820				16×16.5	0.08	1260
		(10×13.5)	-0.13	-750	12.5×16	0.09	950	(12.5×16)	-0.09	-950
3300	332	12.5×16	0.09	950				16×16.5	0.08	1260
		(12.5×13.5)	-0.11	-820	16×16.5	0.08	1260	16×16.5	0.08	1260
4700	472	16×16.5	0.08	1260	16×16.5	0.08	1260	-	-	-

Maximum Impedance (Ω) at 20°C 100kHz, Ripple Current (mA rms) at 105°C 100kHz

Chip Aluminum Electrolytic Capacitors

EAS6 - Low Impedance 105°C Aluminum Electrolytic Capacitors

ELECSOUND®

Standard size & Maximum permissible ripple current

WV		25			35			50		
		1E			1V			1H		
Cap.(μF)		Case Size	Impedance	Ripple Current	Case Size	Impedance	Ripple Current	Case Size	Impedance	Ripple Current
1	10	-	-	-	4×5.4	3	60	4×5.4	5	30
1.5	1R5	-	-	-	4×5.4	3	60	4×5.4	5	30
2.2	2R2	-	-	-	4×5.4	3	60	4×5.4	5	30
3.3	3R3	-	-	-	4×5.4	3	60	4×5.4	5	30
4.7	4R7	4×5.4	3	60	4×5.4	3	60	5×5.4	3	50
								(4×5.4)	-5	-30
6.8	6R8	4×5.4	3	60	5×5.4	1.8	95	6.3×5.4	2	70
10	100	5×5.4	1.8	95	5×5.4	1.8	95	6.3×5.4	2	70
		(4×5.4)	-3	-60	(4×5.4)	-3	-60			
15	150	5×5.4	1.8	95	5×5.4	1.8	95	6.3×5.4	2	70
22	220	6.3×5.4	1	140	6.3×5.4	1	140	6.3×7.7	1	120
		(5×5.4)	-1.8	-95	(5×5.4)	-1.8	-95	(6.3×5.4)	-2	-70
		-	-	-	-	-	-	(8×6.2)	-1	-120
33	330	6.3×5.4	1	140	6.3×5.4	1	140	6.3×7.7	1	120
		(5×5.4)	-1.8	-95	(8×6.2)	-0.6	-230	(8×6.2)		
47	470	6.3×7.7	0.6	230	6.3×7.7	0.6	230	8×10.5	0.6	300
		(6.3×5.4)	-1	-140	(6.3×5.4)	-1	-140	(6.3×7.7)	-1	-120
		(8×6.2)	-0.6	-230	(8×6.2)	-0.6	-230	(8×6.2)	-1	-120
68	680	6.3×7.7	0.6	230	6.3×7.7	0.6	230	8×10.5	0.6	300
100	101	6.3×7.7	0.6	230	8×10.5	0.3	450	10×10.5	0.3	500
		(8×6.2)	-0.6	-230				(8×10.5)	-0.6	-300
150	151	8×10.5	0.3	450	8×10.5	0.3	450	10×10.5	0.3	500
		(6.3×7.7)	-0.6	-230						
220	221	8×10.5	0.3	450	10×10.5	0.15	670	10×13.5	0.25	580
					(8×10.5)	-0.3	-450	(10×10.5)	-0.3	-500
330	331	10×10.5	0.15	670	10×10.5	0.15	670	16×16.5	0.12	1060
		(8×10.5)	-0.3	-450				(12.5×12.5)	-0.2	-650
		-	-	-				(10×13.5)	-0.25	-580
470	471	10×10.5	0.15	670	12.5×13.5	0.11	820	16×16.5	0.12	1060
					(10×13.5)	-0.13	-750	(12.5×16)	-0.15	-700
					(10×10.5)	-0.15	-670			
680	681	10×13.5	0.13	750	12.5×13.5	0.11	820	16×16.5	0.12	1060
					(10×13.5)	-0.13	-750			
1000	102	16×16.5	0.08	1260	16×16.5	0.08	1260	-	-	-
		(12.5×13.5)	-0.11	-820	(12.5×16)	-0.09	-950	-	-	-
1500	152	12.5×16	0.09	950	16×16.5	0.08	1260	-	-	-
2200	222	16×16.5	0.08	1260	-	-	-	-	-	-

Maximum Impedance (Ω) at 20°C 100kHz, Ripple Current (mA rms) at 105°C 100kHz