

## CL21 Metallized Polyester Film Capacitor

### Structure:

Elecsound CL21 are non-inductively wound with metallized polyester film as the dielectric/electrode with copper-clad steel leads and epoxy resin coating.

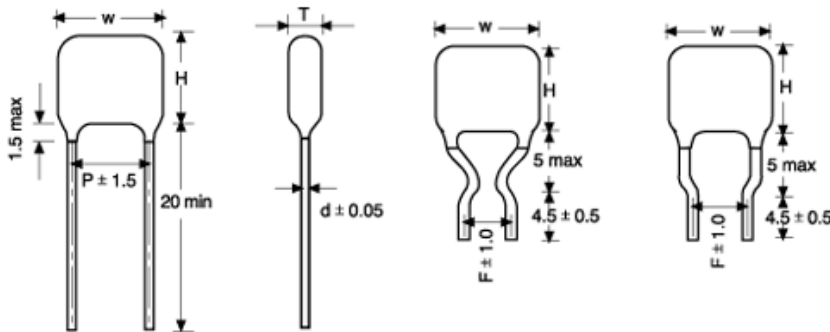


### Features:

- ◆ Wide capacitance range, small size and light weight
- ◆ Excellent self-healing property and long life
- ◆ Suitable for blocking, by-pass and coupling of DC and signals to VHF range
- ◆ Widely used in filter, noise suppression and low pulse circuits

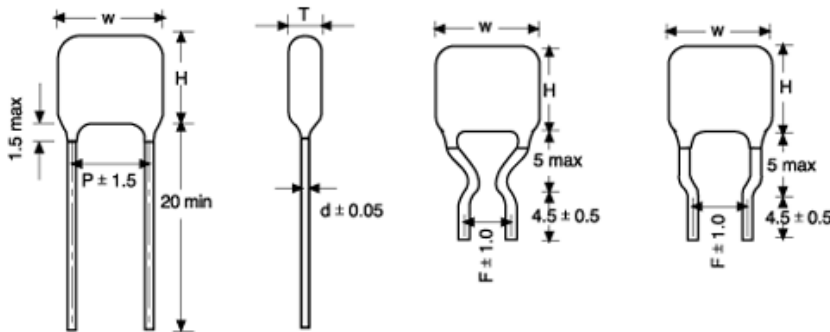
### Technical Specifications:

- ◆ Reference Standard: GB7332 (IEC60384-2)
- ◆ Climatic Category: 40/85/21
- ◆ Rated Voltage: 100V, 250V, 400V, 630V
- ◆ Capacitance Range: 0.01 ~ 10 $\mu$ F
- ◆ Capacitance Tolerance:  $\pm$ 5% (J) ;  $\pm$ 10% (K)
- ◆ Voltage Proof: 1.6UR (2S)
- ◆ Dissipation Factor:  $\leq$ 0.01 (20 , 1 KHz)
- ◆ Insulation Resistance:  $\geq$ 7500M $\Omega$  @ UR > 100V, Cr  $\leq$  0.33 $\mu$ F (20 , 1 min)  
 $\geq$ 2500S @ UR > 100V, Cr > 0.33 $\mu$ F (20 , 1 min)
- Insulation Resistance:  $\geq$ 3750M $\Omega$  @ UR  $\leq$  100V, Cr  $\leq$  0.33 $\mu$ F (20 , 1 min)  
 $\geq$ 1250S @ UR  $\leq$  100V, Cr  $\leq$  0.33 $\mu$ F (20 , 1 min)



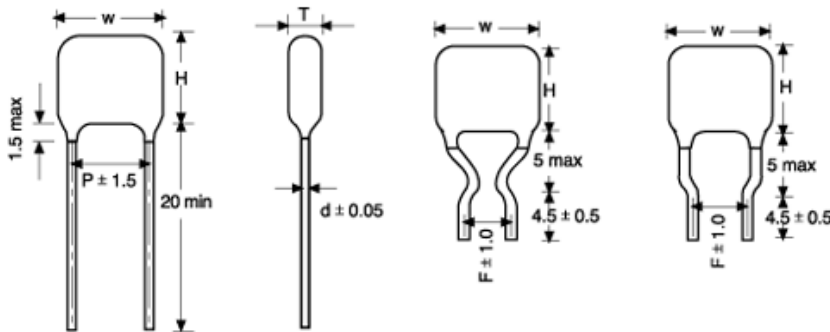
**Dimensions: (mm)**

μF	100Vdc					μF	100VDC				
	W	H	T	P	D		W	H	T	P	D
0.01	13.5	9.0	4.0	10	0.6	0.47	14	14.5	8	10	0.6
0.015	13.5	9.5	4.0	10	0.6	0.56	14	15	8.5	10	0.6
0.022	13.5	9.5	4.5	10	0.6	0.68	19.5	14	7.5	15	0.6
0.033	13.5	10	4.5	10	0.6	0.82	19.5	14.5	8.0	15	0.6
0.039	13.5	10	5.0	10	0.6	1.0	19.5	15.5	8.5	15	0.8
0.047	13.5	10	5.0	10	0.6	1.2	19.5	16	9.0	15	0.8
0.056	13.5	10	5.0	10	0.6	1.5	19.5	17	10	15	0.8
0.068	13.5	10.5	5.5	10	0.6	1.8	19.5	18	11	15	0.8
0.082	13.5	10.5	5.5	10	0.6	2.2	24.5	18	9.5	20	0.8
0.1	13.5	10.5	5.5	10	0.6	2.7	24.5	19	10.5	20	0.8
0.12	13.5	10.5	5.5	10	0.6	3.3	31	18.5	10	26.5	0.8
0.15	13.5	11	6.0	10	0.6	3.9	31	19.5	11	26.5	0.8
0.18	14	11.5	6.5	10	0.6	4.7	31	21.5	11.5	26.5	0.8
0.22	14	13	6.5	10	0.6	5.6	31	22.5	12.5	26.5	0.8
0.27	14	13.5	7.0	10	0.6	6.8	31	23.5	13.5	26.5	1.0
0.33	14	13.5	7.0	10	0.6	10.0	31	26.5	16.5	26.5	1.0
0.39	14	14	7.5	10	0.6						



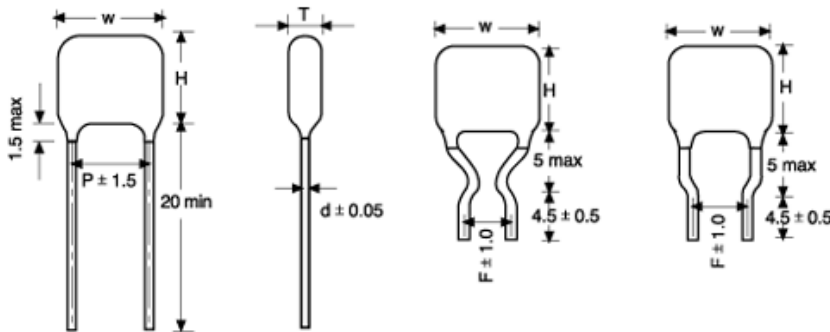
**Dimensions: (mm)**

μF	250Vdc					μF	250VDC				
	W	H	T	P	D		W	H	T	P	D
<b>0.01</b>	13.5	9.0	4.0	10.0	0.6	<b>0.47</b>	19.5	14.0	7.0	15.0	0.6
<b>0.015</b>	13.5	9.5	4.0	10.0	0.6	<b>0.56</b>	19.5	14.5	7.5	15.0	0.6
<b>0.022</b>	13.5	10.0	4.5	10.0	0.6	<b>0.68</b>	19.5	15.0	8.0	15.0	0.6
<b>0.033</b>	13.5	10.0	4.5	10.0	0.6	<b>0.82</b>	19.5	15.5	9.0	15.0	0.6
<b>0.039</b>	13.5	10.0	5.0	10.0	0.6	<b>1.0</b>	24.5	15.0	8.5	20.0	0.8
<b>0.047</b>	13.5	10.0	5.0	10.0	0.6	<b>1.2</b>	24.5	16.0	9.0	20.0	0.8
<b>0.056</b>	13.5	10.0	5.0	10.0	0.6	<b>1.5</b>	24.5	17.5	9.5	20.0	0.8
<b>0.068</b>	13.5	10.5	5.5	10.0	0.6	<b>1.8</b>	24.5	18.5	10.0	20.0	0.8
<b>0.082</b>	13.5	10.5	5.5	10.0	0.6	<b>2.2</b>	32.0	19.0	9.0	27.5	0.8
<b>0.1</b>	13.5	10.5	5.5	10.0	0.6	<b>2.7</b>	32.0	20.0	10.0	27.5	0.8
<b>0.12</b>	13.5	10.5	5.5	10.0	0.6	<b>3.3</b>	32.0	21.0	11.0	27.5	0.8
<b>0.15</b>	14.0	11.0	6.0	10.0	0.6	<b>3.9</b>	32.0	22.0	12.0	27.5	0.8
<b>0.18</b>	14.0	11.5	6.5	10.0	0.6	<b>4.7</b>	32.0	23.0	13.0	27.5	0.8
<b>0.22</b>	14.0	13.0	6.5	10.0	0.6	<b>5.6</b>	32.0	24.0	14.0	27.5	0.8
<b>0.27</b>	14.0	13.5	7.0	10.0	0.6	<b>6.8</b>	32.0	25.5	15.5	27.5	1.0
<b>0.33</b>	19.5	13.0	6.5	15.0	0.6	<b>10.0</b>	36.0	27.5	17.5	31.5	1.0
<b>0.39</b>	19.5	13.5	7.0	15.0	0.6						



**Dimensions: (mm)**

μF	400Vdc					μF	400VDC				
	W	H	T	P	D		W	H	T	P	D
0.01	13.5	9.0	4.0	10.0	0.6	0.47	19.5	16.0	9.0	15.0	0.8
0.015	13.5	9.5	4.5	10.0	0.6	0.56	19.5	16.5	10.0	15.0	0.8
0.022	13.5	10.0	5.0	10.0	0.6	0.68	19.5	17.5	11.0	15.0	0.8
0.033	13.5	10.0	5.0	10.0	0.6	0.82	19.5	18.5	11.5	15.0	0.8
0.039	13.5	10.0	5.5	10.0	0.6	1.0	24.5	18.5	10.0	20.0	0.8
0.047	13.5	10.5	5.5	10.0	0.6	1.2	24.5	19.5	11.0	20.0	0.8
0.056	13.5	11.0	5.5	10.0	0.6	1.5	24.5	20.5	12.5	20.0	0.8
0.068	13.5	11.0	6.0	10.0	0.6	1.8	24.5	22.0	13.5	20.0	0.8
0.082	13.5	11.5	6.0	10.0	0.6	2.2	32.0	21.0	12.5	27.5	0.8
0.1	14.0	13.0	6.0	10.0	0.6	2.7	32.0	23.0	13.0	27.5	0.8
0.12	14.0	13.5	7.0	10.0	0.6	3.3	32.0	24.5	14.5	27.5	1.0
0.15	14.0	14.0	7.5	10.0	0.6	3.9	32.0	25.5	16.0	27.5	1.0
0.18	14.0	14.5	8.0	10.0	0.6	4.7	33.0	27.5	17.5	27.5	1.0
0.22	14.0	15.5	9.0	10.0	0.6	5.6					
0.27	14.0	16.5	9.5	10.0	0.8	6.8					
0.33	19.5	14.5	8.0	15.0	0.8	10.0					
0.39	19.5	15.5	8.5	15.0	0.8						



## Dimensions: (mm)

μF	630Vdc					μF	630VDC				
	W	H	T	P	D		W	H	T	P	D
0.01	13.5	9.0	4.0	10.0	0.6	0.47	30.5	16.0	9.5	26.5	0.8
0.015	13.5	9.5	4.5	10.0	0.6	0.56	30.5	17.0	10.0	26.5	0.8
0.022	13.5	10.0	5.0	10.0	0.6	0.68	30.5	19.0	10.5	26.5	0.8
0.033	13.5	11.0	5.5	10.0	0.6	0.82	30.5	19.5	11.5	26.5	0.8
0.039	13.5	11.5	6.0	10.0	0.6	1.0	30.5	20.5	12.5	26.5	0.8
0.047	14.0	13.3	6.0	10.0	0.6	1.2	31.0	22.0	13.5	26.5	0.8
0.056	14.0	13.5	6.5	10.0	0.6	1.5	31.0	24.5	14.5	26.5	0.8
0.068	14.0	14.0	7.0	10.0	0.6	1.8	31.0	26.0	16.0	26.5	0.8
0.082	14.0	15.0	8.5	10.0	0.8	2.2	31.0	27.5	17.5	26.5	1.0
0.1	19.5	13.0	6.5	15.0	0.8	2.7					
0.12	19.5	13.5	7.0	15.0	0.8	3.3					
0.15	19.5	14.5	7.5	15.0	0.8	3.9					
0.18	19.5	15.0	8.0	15.0	0.8	4.7					
0.22	24.5	14.5	7.5	20.0	0.8	5.6					
0.27	24.5	15.0	8.5	20.0	0.8	6.8					
0.33	24.5	16.0	9.0	20.0	0.8	10.0					
0.39	24.5	16.5	10.0	20.0	0.8						

**Note:** Capacitors of special specifications are made according to customer's need.

Main Products: Trimming potentiometers, Leds, pcbs, capacitors, resistors, varistors

Elecsound Electronics Company Limited

Email: [inquiry@elecsound.cn](mailto:inquiry@elecsound.cn)

[www.elecsound.com.cn](http://www.elecsound.com.cn)

Tel: 86 755 83045964