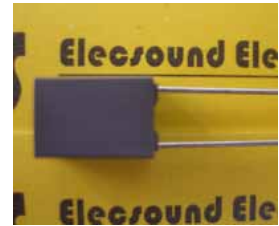


CL23 BOX-TYPE Metallized Polyester Film Capacitor**Structure:**

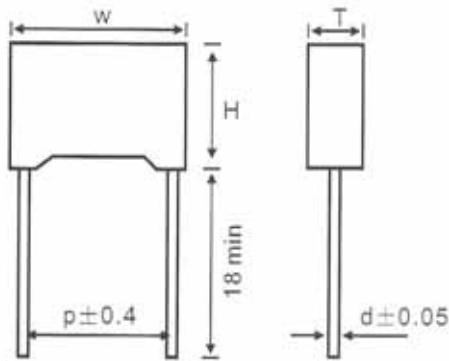
CL23 are non-inductively wound with metallized polyester film as dielectric/electrode with copper-clad steel leads and encapsulated in a plastic case sealed with epoxy resin.

Features:

- ◆ Box type provides the identical dimensions
- ◆ Excellent flame retardant abilities
- ◆ Excellent self-healing property and high reliability
- ◆ Suitable for blocking, by-pass and coupling of DC and signals to VHF range
- ◆ Widely used in filter, noise suppression and low pulse circuits

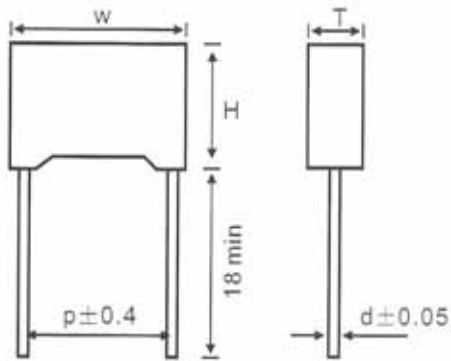
Technical Specifications:

- ◆ Reference Standard: GB7332 (IEC60384-2)
- ◆ Climatic Category: 40/85/21
- ◆ Rated Voltage: 100V, 250V, 400V, 630V
- ◆ Capacitance Range: 0.01 ~ 10.0 μ F
- ◆ Capacitance Tolerance: \pm 5% (J) ; \pm 10% (K)
- ◆ Voltage Proof: 1.6UR (2S)
- ◆ Dissipation Factor: \leq 0.01 (20 , 1 KHz)
- ◆ Insulation Resistance:
Ur > 100V \geq 7500M Ω , Cr \leq 0.33 μ F (20 , 1 min)
 \geq 2500S , Cr >0.33 μ F (20 , 1 min)
Ur 100V \geq 3750M Ω , Cr \leq 0.33 μ F (20 , 1 min)
 \geq 1250S , Cr >0.33 μ F (20 , 1 min)



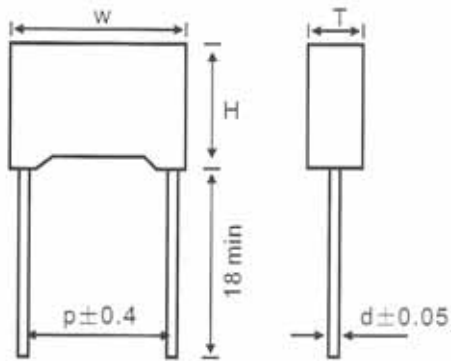
Dimensions: (mm)

μF	50/63VDC				
	W	H	T	P	d
0.001	7.2	6.5	2.5	5.0	0.5
0.0015	7.2	6.5	2.5	5.0	0.5
0.0022	7.2	6.5	2.5	5.0	0.5
0.0033	7.2	6.5	2.5	5.0	0.5
0.0047	7.2	6.5	2.5	5.0	0.5
0.0068	7.2	6.5	2.5	5.0	0.5
0.01	7.2	6.5	2.5	5.0	0.5
0.015	7.2	6.5	2.5	5.0	0.5
0.022	7.2	6.5	2.5	5.0	0.5
0.033	7.2	6.5	2.5	5.0	0.5
0.047	7.2	6.5	2.5	5.0	0.5
0.068	7.2	6.5	2.5	5.0	0.5
0.1	7.2	6.5	2.5	5.0	0.5
0.15	7.2	6.5	3.0	5.0	0.5
0.22	7.2	6.5	3.5	5.0	0.5
0.33	7.2	6.5	3.5	5.0	0.5
0.47	7.2	6.5	4.5	5.0	0.5
0.68	7.2	10.0	5.0	5.0	0.5
1.0	7.2	10.0	6.0	5.0	0.5



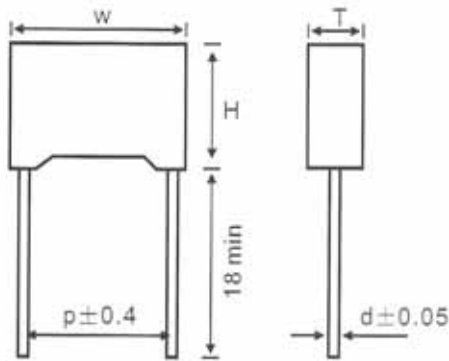
Dimensions: (mm)

μF	100VDC				
	W	H	T	P	d
0.001	7.2	6.5	2.5	5.0	0.5
0.0015	7.2	6.5	2.5	5.0	0.5
0.0022	7.2	6.5	2.5	5.0	0.5
0.0033	7.2	6.5	2.5	5.0	0.5
0.0047	7.2	6.5	2.5	5.0	0.5
0.0068	7.2	6.5	2.5	5.0	0.5
0.01	7.2	6.5	2.5	5.0	0.5
0.015	7.2	6.5	2.5	5.0	0.5
0.022	7.2	6.5	2.5	5.0	0.5
0.033	7.2	6.5	2.5	5.0	0.5
0.047	7.2	6.5	2.8	5.0	0.5
0.068	7.2	6.5	3.0	5.0	0.5
0.1	7.2	8.5	3.5	5.0	0.5
0.15	7.2	9.5	4.5	5.0	0.5
0.22	7.2	9.5	4.5	5.0	0.5
0.33	7.2	11.0	7.0	5.0	0.5
0.47	7.2	13.0	7.2	5.0	0.5
0.68	x	x	x	x	x
1.0	x	x	x	x	x



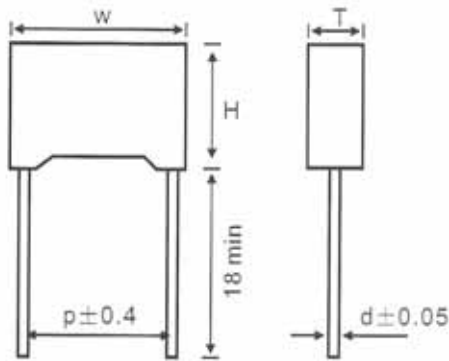
Dimensions: (mm)

μF	250VDC				
	W	H	T	P	d
0.001	10.5	7.0	2.5	7.5	0.6
0.0015	10.5	7.0	2.5	7.5	0.6
0.0022	10.5	7.0	2.5	7.5	0.6
0.0033	10.5	7.0	2.5	7.5	0.6
0.0047	10.5	7.0	2.5	7.5	0.6
0.0068	10.5	7.0	2.5	7.5	0.6
0.01	10.5	7.0	2.5	7.5	0.6
0.015	10.5	7.0	2.5	7.5	0.6
0.022	10.5	7.0	2.5	7.5	0.6
0.033	10.5	8.5	3.5	7.5	0.6
0.047	10.5	9.0	4.0	7.5	0.6
0.068	10.5	11.0	5.0	7.5	0.6
0.1	10.5	11.0	5.0	7.5	0.6
0.15	10.5	12.0	6.0	7.5	0.6
0.22	x	x	x	x	x
0.33	x	x	x	x	x
0.47	x	x	x	x	x
0.68	x	x	x	x	x
1.0	x	x	x	x	x



Dimensions: (mm)

μF	400VDC				
	W	H	T	P	d
0.001	10.5	8.5	3.5	7.5	0.6
0.0015	10.5	8.5	3.5	7.5	0.6
0.0022	10.5	8.5	3.5	7.5	0.6
0.0033	10.5	8.5	3.5	7.5	0.6
0.0047	10.5	9.0	4.0	7.5	0.6
0.0068	10.5	9.0	4.0	7.5	0.6
0.01	13.0	9.0	4.0	10.0	0.6
0.015	13.0	9.0	4.0	10.0	0.6
0.022	13.0	9.0	4.0	10.0	0.6
0.033	13.0	9.0	4.0	10.0	0.6
0.047	13.0	11.0	5.0	10.0	0.6
0.068	13.0	11.0	5.0	10.0	0.6
0.1	13.0	11.0	5.0	10.0	0.6
0.15	x	x	x	x	x
0.22	x	x	x	x	x
0.33	x	x	x	x	x
0.47	x	x	x	x	x
0.68	x	x	x	x	x
1.0	x	x	x	x	x



Dimensions: (mm)

μF	630VDC				
	W	H	T	P	d
0.001	10.5	8.5	3.5	7.5	0.6
0.0015	10.5	8.5	3.5	7.5	0.6
0.0022	10.5	8.5	3.5	7.5	0.6
0.0033	10.5	8.5	3.5	7.5	0.6
0.0047	10.5	9.0	4.0	7.5	0.6
0.0068	10.5	9.0	4.0	7.5	0.6
0.01	10.5	9.0	4.0	7.5	0.6
0.015	10.5	11.0	6.0	7.5	0.6
0.022	10.5	12.0	6.0	7.5	0.6
0.033	18.0	11.0	5.0	15.0	0.8
0.047	18.0	11.0	5.0	15.0	0.8
0.068	18.0	12.0	6.0	15.0	0.8
0.1	18.0	13.5	7.5	15.0	0.8
0.15	18.0	14.5	8.5	15.0	0.8
0.22	x	x	x	x	x
0.33	x	x	x	x	x
0.47	x	x	x	x	x
0.68	x	x	x	x	x
1.0	x	x	x	x	x

Note: Capacitors of special specifications are made according to customer's need.