

Quartz Crystal Resonator

DIP 3×8mm

EIECSOUND®

DIP Cylindrical Crystal MHzφ3×8 mm



3 x 8 mm cylinder type

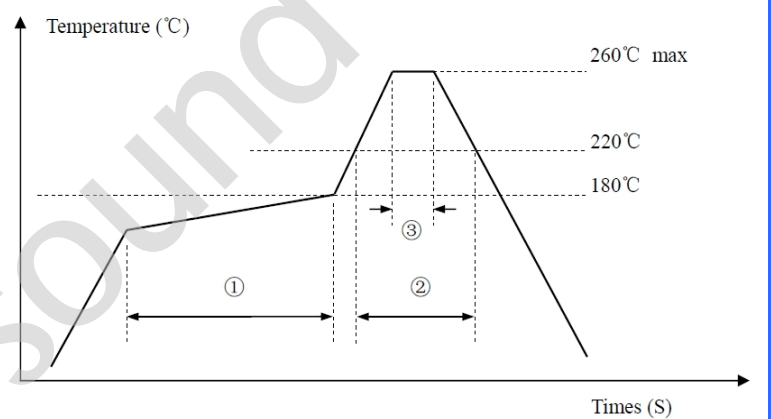
Small size

±20 ppm Standard

With Insulation Sleeve Available

DESCRIPTION	CONTENTS
Frequency Range	32.768KHz~ 50.000MHz
Tolerance @25±2°C	±10ppm~±20ppm
Frequency Stability	±10ppm~±30ppm
Operating Temperature Range	0~+50°C to -40~ +85°C
Storage Temperature Range	-40°C~+85°C
Load Capacitance(CL)	20pF Std. 7pF~33pF
Drive Level	10μW (300μW Max)
Shunt Capacitance	10pf (max)
Aging Rate a year	±5ppm (max)
Insulation Resistance	500Megohm min/D.C100V

REFLOW SOLDERING PROFILE

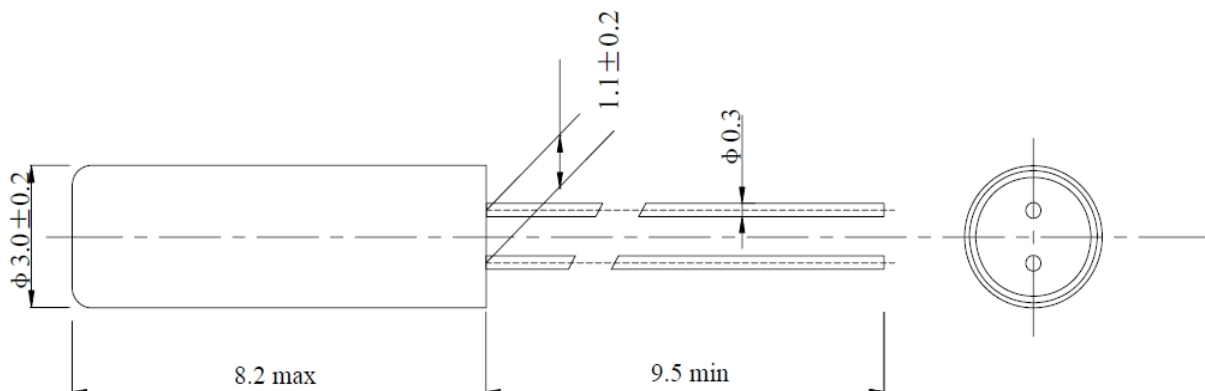


① Preheat 160~180°C 120sec. max

② Primary heat 220°C 60sec. max

③ Peak 260°C 10sec. max.

DIMENSIONS



EIECSOUND ELECTRONICS COMPANY LIMITED

TEL: 0086-755-83045964

FAX: 0086-755-82948027

Website: www.elecsound.com

sales@elecsound.com