

Aluminum Electrolytic Capacitors

EAR5-CD71 Bi-polarized Radial Aluminum Electrolytic Capacitors

ELECSOUND®

Load life of 2000 hours at 85 °C
 High and stable quality
 Bi-polarized standard
 Used in polarity reverses and change circuits

Specifications:

Operating Temperature Range(°C): -40~+85
 Rated Voltage Range(V): 6.3~160
 Nominal Capacitance Ranges(μF): 0.47~6800
 Capacitance Tolerance(20 °C,120Hz) : 20%
 Leakage current (μA): $I \leq 0.03CV$ or whichever is smaller (at 25 °C ,after 1 minutes)

Dissipation Factor(25 °C,120Hz)

Rated Voltage (V)	6.3	10	16	25	35	50	63	100	160
tan δ	0.28	0.24	0.22	0.2	0.15	0.14	0.1	0.08	0.15

when nominal capacitance is over 1000uF tan δ shall be added 0.02 to the listed

Temperature Stability(120Hz)

Rated voltage(v)	6.3	10	16	25	35	50	63	100	160
Impedance Ratio	Z-25°C/Z+20°C	4	3	2	2	2	2	2	4
	Z-40°C/Z+20°C	10	8	6	5	4	4	3	-

Load Life(+85 °C)

Time	After applying rated voltage for 500 x 2 Hours at +85°C and then resumed 16 Hours
Leakage Current	Not more than the specified value.
Capacitance Change	Within ±20% of the initial value.
Dissipation Factor	Not more than 200% of the specified value.

Shelf Life(+85 °C)

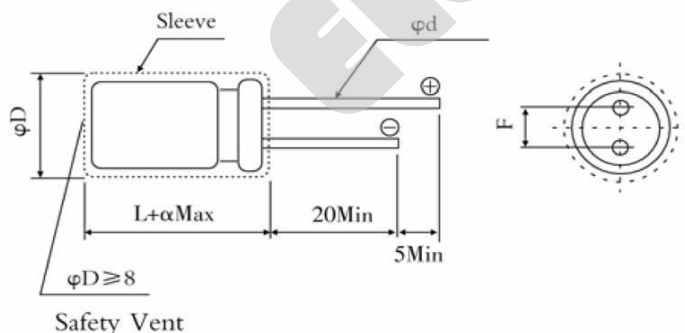
Time	After Storage for 1000 Hours at +85°C and then resumed 16 Hours
Leakage Current	Not more than 200% of the specified value.
Capacitance Change	Within ±20% of the initial value.
Dissipation Factor	Not more than 200% of the specified value.

After test:Rated Voltage to be applied for 30 minutes, 24 to 48 hours before measurement.

Frequency coefficient

Frequency (Hz)	50Hz	120Hz	1KHz	10KHz	100K
Rated Voltage (V)					
6.3~16	0.8	1.00	1.10	1.20	1.20
25~35	0.8	1.00	1.50	1.70	1.70
50~160	0.8	1.00	1.60	1.90	1.90

Dimensions : (Unit:MM)



Temperature Coefficient

Temperature (°C)	+70	+85
Coefficient	1.35	1.00

Lead spacing and diameter: (Unit:MM)

ΦD	5	6.3	8	10	12.5	16	18
F	2	2.5	3.5	5		7.5	
φd	0.5		0.6		0.8		
a	1		L < 16: 1.0 ; L ≥ 16: 2.0				

Aluminum Electrolytic Capacitors

EAR5-CD71 Bi-polarized Radial Aluminum Electrolytic Capacitors

ELECSOUND®

Standard Ratings

WV(V)	6.3		10		16		25		35		50		63	
	Size ΦDxL	Ripple mArms	Size ΦDxL	Ripple mArms	Size ΦDxL	Ripple mArms	Size ΦDxL	Ripple mArms	Size ΦDxL	Ripple mArms	Size ΦDxL	Ripple mArms	Size ΦDxL	Ripple mArms
0.47	-	-	-	-	-	-	-	-	-	-	5x11	10	-	-
1	-	-	-	-	-	-	-	-	-	-	5x11	15	-	-
2.2	-	-	-	-	-	-	-	-	-	-	5x11	25	-	-
3.3	-	-	-	-	-	-	-	-	-	-	5x11	28	5x11	30
4.7	-	-	-	-	-	-	-	-	5x11	30	5x11	35	6.3x11	37
10	-	-	-	-	5x11	40	5x11	40	5x11	45	6.3x11	52	6.3x11	57
22	-	-	5x11	50	5x11	55	6.3x11	60	6.3x11	75	8x12	90	8x12	95
33	5x11	60	5x11	65	5x11	70	6.3x11	80	8x12	100	8x12	105	10x13	135
47	5x11	70	5x11	75	6.3x11	95	6.3x11	100	8x12	120	10x13	150	10x16	180
100	6.3x11	120	6x11	125	8x12	160	8x12	165	10x16	230	10x20	265	13x20	320
220	8x12	210	8x12	215	10x13	275	10x16	305	13x20	410	13x25	480	16x25	575
330	8x12	265	10x16	345	10x16	380	13x20	450	13x20	505	16x25	650	16x30	655
470	10x13	370	10x16	410	10x20	495	13x20	540	13x25	650	16x30	835	19x35	965
1000	10x20	650	13x20	720	16x25	850	16x25	950	16x30	1140	-	-	-	-
2200	13x25	1160	16x25	1280	16x30	1510	19x35	1620	-	-	-	-	-	-
3300	16x25	1560	16x30	1690	19x35	1980	-	-	-	-	-	-	-	-
4700	16x30	2020	19x35	2160	-	-	-	-	-	-	-	-	-	-
6800	19x35	2600	-	-	-	-	-	-	-	-	-	-	-	-

WV(V)	100		160	
	Size ΦDxL	Ripple mArms	Size ΦDxL	Ripple mArms
0.47	5x11	14	-	-
1	5x11	21	-	-
2.2	6.3x11	34	-	-
3.3	6.3x11	39	10x16	49
4.7	6.3x11	47	10x16	59
10	8x12	71	13x20	109
22	10x16	135	13x25	177
33	13x20	220	16x25	240
47	13x20	240	16x35	330
100	16x25	425	19x35	430
220	19x35	720	-	-

Rated Ripple Current: 85 °C, 100hz or 120Hz

The Specific capacitance and case size are available on request by customer