

Ceramic Capacitors

EC1 Low Voltage Ceramic Capacitor

EIECSOUND®

Features:

Have various category of T.C are available for by-passing, coupling, low DF and resonant circuit of low stability capacitance

Operating Temperature Range, please consider EIA code

Capacitance Range

Dmax(mm)		(Capacitance Range)PF			
Dimension		Y5P	Y5U	Y5V	Z5Y
5.0	Test Volt -age(U _R =50 V)	100-1200	470-1500	2200-4700	1000-5600
6.0		1500-2200	2200-4700	5600-10000	6800-10000
7.0		2700-3300	3600-6800	8200-15000	15000-22000
8.0		3600-4700	6800-10000	20000-22000	22000-25000
9.0		5100-6800	15000	25000	30000-100000
10.0		7500-10000	22000	33000	47000-200000
12.0				33000	47000
14.0			47000		
6.0	Test Volt -age(UR =50 V)	100-680	470-1000	1000-1500	1500-2200
8.0		820-1200	1500-2000	2200-3300	3300-5600
10.0		1500-2200	2200-3000	4700-6800	6800-8200
12.0		2200-4700	3300-5600	8200-10000	10000-15000
14.0		3300-6800	6800-10000	15000	22000
16.0		8200-10000			

operating Voltage: 50-500V

Test Voltage: 2.5U_R.

I.R: Insulation resistance R_i ≥ 4000MΩ .

tangent of loss angel: Y5P: tgδ ≤ 0.025 Y5U Z5U: tgδ ≤ 0.030 Y5V Z5V: tgδ ≤ 0.035

Capacitor Type Code

Type

CC1: Low voltage temperature compensated disk ceramic capacitor

CT1: Low voltage high dielectric constant disk ceramic capacitor

CS1: Semiconductor dielectric insulator disk ceramic capacitor

Rated voltage

Letter symbol	D	E	F	G	J	K	L
rated voltage	16V	25V	50V	100V	160V	250V	500V
Letter symbol	N	M	P	Q	X	Y	
rated voltage	1KV	2KV	3KV	4KV	250VAC	400VAC	

Diameter

symbol	4	5	6	7	8	9	10	12
diameter(mm)	4.0	5.0	6.0	7.0	8.0	9.0	10.0	12.0

Temperature coefficient: Please consider temperature characteristics and EIA code

Lead style

symbol

1	Straight lead (length 23mm)
2	Straight lead (length 17mm)
3	Cutting lead (short lead)
4	Tape straight lead
5	Tape small inside kink
6	Tape large inside kink
7	Double inside kinks
8	Double outside kinks
9	Outside kink

EIECSOUND ELECTRONICS COMPANY LIMITED

TEL: 0086-755-83045964

FAX: 0086-755-82948027

Website: www.elecsound.com

sales@elecsound.com

Ceramic Capacitors

EC1 Low Voltage Ceramic Capacitor

IECSOUND®

Lead Spacing

symbol	Lead spacing(mm)
A	2.5 ±0.5
B	5.0± 0.5
C	7.5± 0.5
D	10.0± 0.5

Standard capacitance

1R0	1PF
4R7	4.7PF
100	10PF
560	56PF
821	820PF
102	1000PF

Note: The unit of standard capacitance if consisting of 3 digits, the first and second digits stand for effective value of the Standard capacitance; third digit indicates the number of zeros; R indicates decimal.

Capacitance tolerance, Please consider EIA code

Code	J	K	M	S	Z
Tolerance	±5%	±10%	±20%	+50%/-20%	+80%/-20%

Packing style

symbo	Packing style
T	Tape
S	bulk

Enclosure style

code	Enclosure style
E	Epoxy resin
P	Phenol resin

TEMPERATURE CHARACTERISTICS

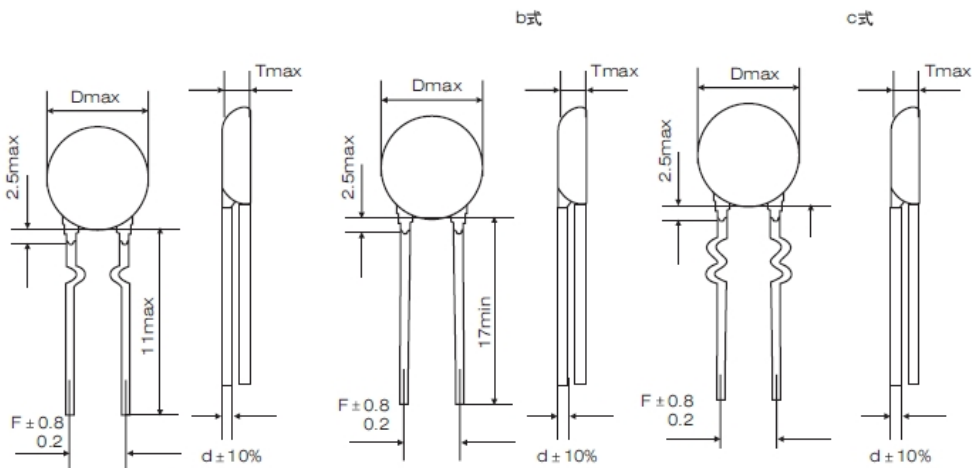
Material temperature coefficient tolerance

X10 /°C	Materials	EIA Code	JIS GB Code
0±60	NP0	COH	CH
-750± 120	N750	U ₂ J	UJ or U ₂ J
(+ 140--1000	P140 N1000(SL)	S ₂ L	SL or S ₂ L

EIA CODE

The First Letter	The Second Letter	The Third Letter
Y: 25°C	5: +85°C	P: ± 10%
Z: +10°C	7: +125°C	R: ± 15%
		U: +22% -56%
		V: +22% -82%

DIMENSIONS



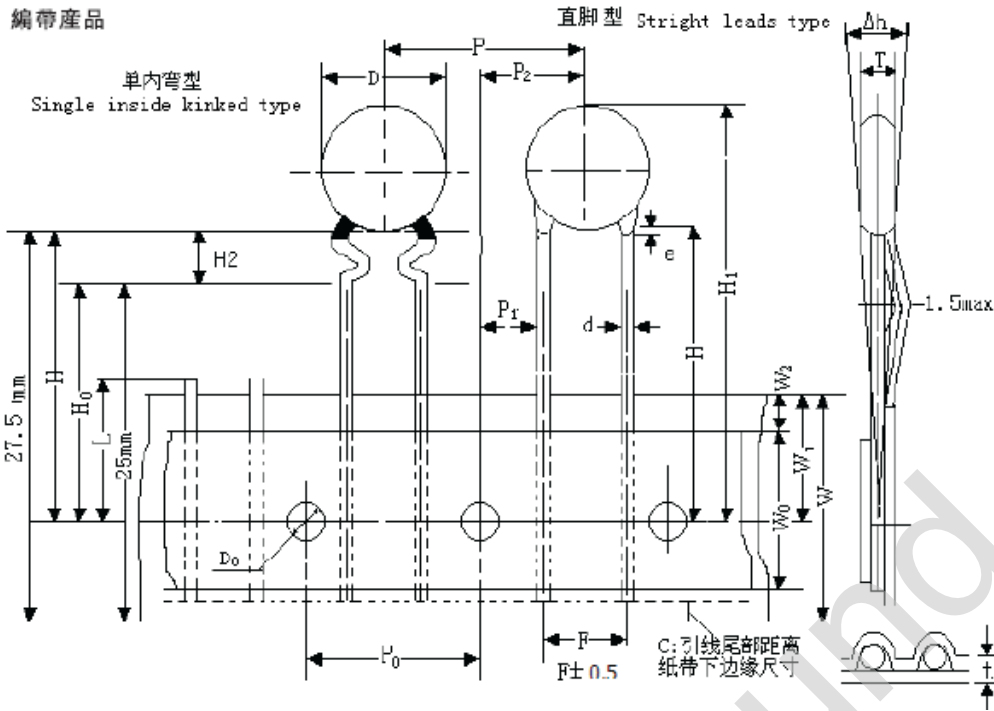
IECSOUND ELECTRONICS COMPANY LIMITED

TEL: 0086-755-83045964

FAX: 0086-755-82948027

Website: www.iecsound.com

sales@iecsound.com



NOTE: Lead style and distance are fit of JIS and EIA standard. Other we can produce with customers requirement.