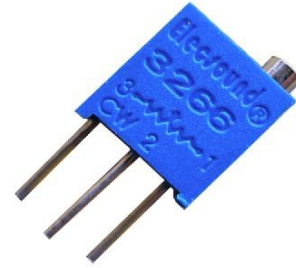


Multiturn Potentiometer

ET3266 Cermet Trimming Potentiometer

ELECSOUND®

Square/Multiturn/ Cermet/ Industrial/ Sealed
 5 Terminal Styles
 RoHS Compliant



Electrical Characteristics

Standard Resistance range: 10Ω - 2MΩ
 Resistance Tolerance: ±10% std.
 Absolute Minimum Resistance: ≤1% or 2Ω
 Contact Resistance Variation: ≤3% or 3Ω
 Insulation Resistance : R1 ≥1,000 MegΩ
 Withstand Voltage : 500VAC
 Effective Travel: 12 turns normal

Environmental Characteristics

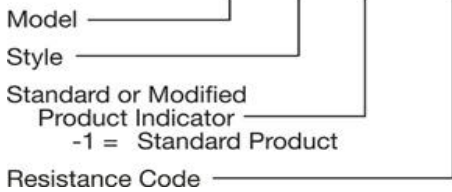
Power Rating:(315V max.)0.25W@70°C, 0W@150°C
 Temperature Range: -55°C to +150°C
 Temperature Coefficient: ±100ppm/°C
 Vibration: 10-500Hz, 0.25mm, 6Hour: ΔR≤±5%
 Shock: 390m/s, 4000cycles, ΔR≤±3%
 Electrical Endurance:0.5W@70°C,1000H,ΔR≤±3%
 Rotational Life: 200Cycles,ΔR≤±3%

Physical Characteristics

Starting Torque: ≤30mN·m
 Flammability: UL94V-0
 Marking: Resistance code, Model
 Standard Packaging: 50pcs per tube

How To Order:

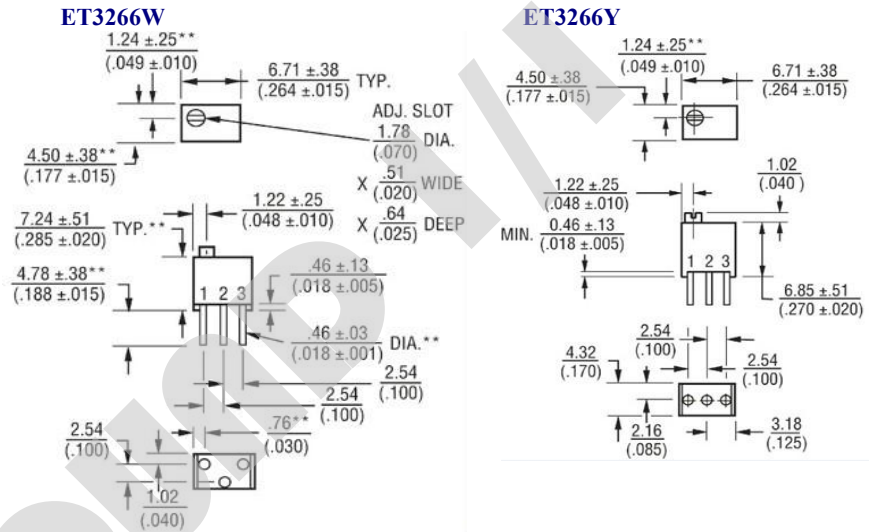
ET3266 W - 1 - 103



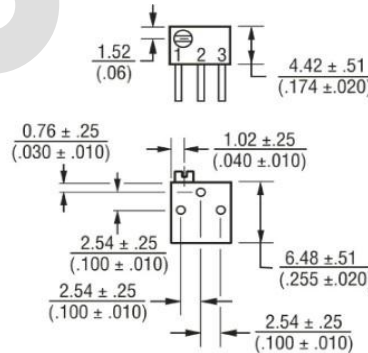
Standard Resistance Table:

Resistance (Ohms)	Resistance Code
10	100
20	200
50	500
100	101
200	201
500	501
1000	102
2000	202
5000	502
10000	103
20000	203
25000	253
50000	503
100000	104
200000	204
250000	254
500000	504
1000000	105
2000000	205

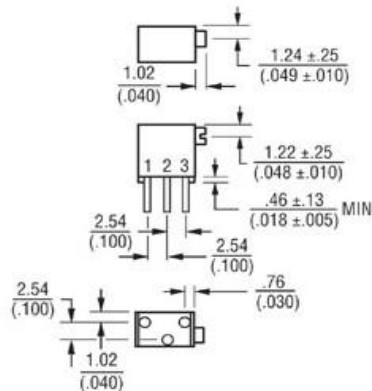
ET3266 Common Dimension & Adjust Method



ET3266P



ET3266X



ET3266Z

