

Multiturn Potentiometer

ET3296 Cermet Trimming Potentiometer

ELECSOUND®

Square/Multiturn/ Cermet/ Industrial/ Sealed

5 Terminal Styles

Rohs Compliant

Electrical Characteristics

Standard Resistance Range: 10Ω - 2MΩ
 Resistance Tolerance: ±10% std.
 Absolute Minimum Resistance: ≤1% or 2Ω
 Contact Resistance Variation: ≤1% or 1Ω
 Insulation Resistance : R1 ≥1,000 MegΩ
 Withstand Voltage : 640VAC
 Effective Travel: 28 turns normal

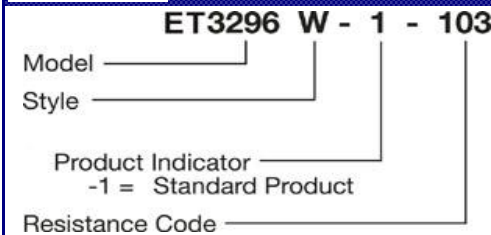
Environmental Characteristics

Power Rating:(350V max.)0.5W@70°C, 0W@150°C
 Temperature Range: -55°C to +150°C
 Temperature Coefficient: ±100ppm/°C
 Vibration: 10-500Hz, 0.75mm, 6Hour: ΔR≤±5%
 Shock: 390m/s, 4000cycles, ΔR≤±5%
 Electrical Endurance:0.5W@70°C,1000H,ΔR≤±10%
 Rotational Life: 200Cycles,ΔR≤±5%

Physical Characteristics

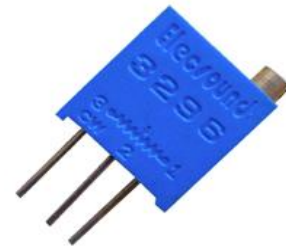
Starting Torque: ≤35mN·m
 Flammability: UL.94V-0
 Marking: Resistance code, Model
 Standard Packaging: 50pcs per tube

How To Order:

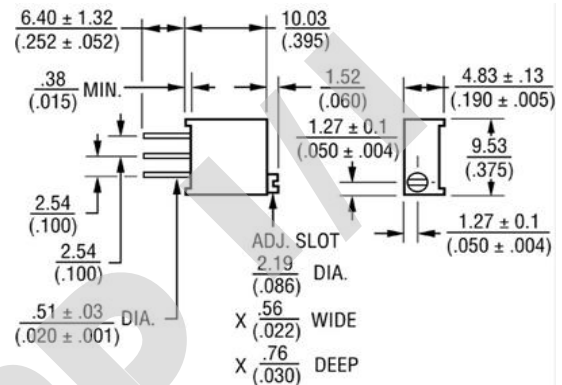


Standard Resistance Table:

Resistance (Ohms)	Resistance Code
10	100
20	200
50	500
100	101
200	201
500	501
1000	102
2000	202
5000	502
10000	103
20000	203
25000	253
50000	503
100000	104
200000	204
250000	254
500000	504
1000000	105
2000000	205



ET3296 Common Dimension



Adjust Method

