

Varistor (MOV)

EV3 - 10mm Zinc Oxide Varistor

ELECSOUND

Wide Operating voltage (V_{1mA}) range from 18V~1800V
 Withstanding Surge Current: 500~3500A
 Model Size: 10mm
 Fast responding to transient over-voltage<25ns
 Low Clamping ratio and no following-on current
 Rohs Compliant

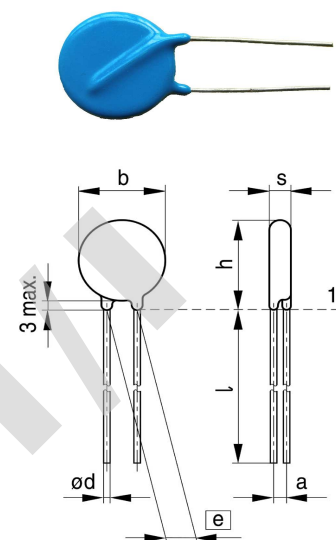
Transistor, Diode, IC, Thyristor or diac semiconductor protection
 Surge protection in consumer electronics
 Surge protection in industrial electronics
 Surge protection in electronic home appliance, gas and petroleum.
 Relay and electromagnetic valve surge absorption

How To Order

| EV3 | 10 | D | 471 | K | T |
|-----------|---------------|-----------|----------------------------|-----------|---------------|
| MARKING | Chip Diameter | D: Disk | Voltage | Tolerance | Packing Style |
| | 05 : 5mm | S: Square | 471: 47x10 ¹ | K=±10% | T: Tape |
| | 07 : 7mm | E: Other | | L=±15% | |
| | 10 : 10mm | | | | Nothing: bulk |
| | 14 : 14mm | | | | |
| 20 : 20mm | | | | | |

Diameter And Size(Unit: mm)

| Voltage | B (Max.) | H (Max.) | L (Min.) | E ±1 | ød (Max.) | S (Max.) |
|-----------|----------|----------|----------|------|-----------|----------|
| 180K-680K | 13 | 15 | 25 | 7.5 | 0.8 | 5.0 |
| 820K-201K | 13 | 15 | 25 | 7.5 | 0.8 | 5.0 |
| 221K-331K | 13 | 15 | 25 | 7.5 | 0.8 | 5.5 |
| 361K-471K | 13 | 15 | 25 | 7.5 | 0.8 | 6.0 |
| 511K-561K | 13 | 15 | 25 | 7.5 | 0.8 | 6.5 |
| 621K-681K | 13 | 15 | 25 | 7.5 | 0.8 | 7.0 |
| 751K-821K | 13 | 15 | 25 | 7.5 | 0.8 | 7.5 |
| 911K-122K | 13 | 15 | 25 | 7.5 | 0.8 | 8.0 |
| 142K-162K | 13 | 15 | 25 | 7.5 | 0.8 | 10.0 |
| 182K | 13 | 15 | 25 | 7.5 | 0.8 | 12.0 |



Electrical Characteristics

| Part number | Voltage at DC _{1mA} (25°C) | Max. Continuous Applied Voltage | | Max. Voltage at Class Current V _c (V) | Class Current (8/20us) I _p (A) | Energy Surge (10/1000us) high(J) | Std. Energy (J) | Max. Peak Current (A) | Std. I(A) | Rated Power (W) | Typical Capatance @1KHz(pf) |
|-------------|-------------------------------------|---------------------------------|-------|--------------------------------------------------|-------------------------------------------|----------------------------------|-----------------|-----------------------|-----------|-----------------|-----------------------------|
| | | AC(V) | DC(V) | | | | | | | | |
| EV3-10D180L | 18(15-21.6) | 11 | 14 | 38 | 5 | 2.3 | 2 | 1000 | 500 | 0.05 | 7500 |
| EV3-10D220K | 22(19.5-24) | 14 | 18 | 43 | 5 | 2.6 | 2.2 | 1000 | 500 | 0.05 | 6000 |
| EV3-10D270K | 27(24-31) | 17 | 22 | 53 | 5 | 3.9 | 3.2 | 1000 | 500 | 0.05 | 4800 |
| EV3-10D330K | 33(29.5-36.5) | 20 | 26 | 65 | 5 | 4.8 | 4 | 1000 | 500 | 0.05 | 4200 |
| EV3-10D390K | 39(35-43) | 25 | 31 | 77 | 5 | 5.6 | 4.7 | 1000 | 500 | 0.05 | 3700 |
| EV3-10D470K | 47(42-52) | 30 | 38 | 93 | 5 | 6.8 | 5.6 | 1000 | 500 | 0.05 | 3300 |
| EV3-10D560K | 56(50-62) | 35 | 45 | 110 | 5 | 8.1 | 6.7 | 1000 | 500 | 0.05 | 2900 |
| EV3-10D680K | 68(61-75) | 40 | 56 | 135 | 5 | 10 | 8.2 | 1000 | 500 | 0.05 | 2500 |
| EV3-10D820K | 82(74-90) | 50 | 65 | 135 | 25 | 14 | 10 | 3500 | 2500 | 0.4 | 2100 |
| EV3-10D101K | 100(90-110) | 60 | 85 | 165 | 25 | 17 | 12 | 3500 | 2500 | 0.4 | 1700 |
| EV3-10D121K | 120(108-132) | 75 | 100 | 200 | 25 | 20 | 15 | 3500 | 2500 | 0.4 | 1500 |
| EV3-10D151K | 150(135-165) | 95 | 125 | 250 | 25 | 25 | 18 | 3500 | 2500 | 0.4 | 1300 |
| EV3-10D181K | 180(162-198) | 115 | 150 | 300 | 25 | 32 | 21 | 3500 | 2500 | 0.4 | 470 |
| EV3-10D201K | 200(180-225) | 130 | 170 | 340 | 25 | 35 | 25 | 3500 | 2500 | 0.4 | 430 |
| EV3-10D221K | 220(198-242) | 140 | 180 | 360 | 25 | 39 | 28 | 3500 | 2500 | 0.4 | 390 |
| EV3-10D241K | 240(216-264) | 150 | 200 | 395 | 25 | 42 | 30 | 3500 | 2500 | 0.4 | 360 |
| EV3-10D271K | 270(243-297) | 175 | 225 | 455 | 25 | 49 | 35 | 3500 | 2500 | 0.4 | 330 |
| EV3-10D301K | 300(270-330) | 195 | 250 | 505 | 25 | 54 | 38 | 3500 | 2500 | 0.4 | 290 |
| EV3-10D331K | 330(297-363) | 210 | 275 | 550 | 25 | 58 | 42 | 3500 | 2500 | 0.4 | 280 |
| EV3-10D361K | 360(324-396) | 230 | 300 | 595 | 25 | 65 | 45 | 3500 | 2500 | 0.4 | 260 |
| EV3-10D391K | 390(351-429) | 250 | 320 | 650 | 25 | 70 | 50 | 3500 | 2500 | 0.4 | 240 |
| EV3-10D431K | 430(387-473) | 275 | 350 | 710 | 25 | 80 | 55 | 3500 | 2500 | 0.4 | 220 |
| EV3-10D471K | 470(423-517) | 300 | 385 | 775 | 25 | 85 | 60 | 3500 | 2500 | 0.4 | 190 |
| EV3-10D511K | 510(459-561) | 320 | 418 | 842 | 25 | 92 | 67 | 3500 | 2500 | 0.4 | 180 |
| EV3-10D561K | 560(504-616) | 350 | 460 | 920 | 25 | 93 | 69 | 3500 | 2500 | 0.4 | 180 |
| EV3-10D621K | 620(558-682) | 385 | 510 | 1025 | 25 | 97 | 70 | 3500 | 2500 | 0.4 | 160 |
| EV3-10D681K | 680(612-748) | 420 | 560 | 1120 | 25 | 100 | 72 | 3500 | 2500 | 0.4 | 140 |
| EV3-10D751K | 750(675-825) | 460 | 615 | 1240 | 25 | 105 | 75 | 3500 | 2500 | 0.4 | 130 |
| EV3-10D781K | 780(702-858) | 485 | 640 | 1290 | 25 | 107 | 77 | 3500 | 2500 | 0.4 | 130 |
| EV3-10D821K | 820(738-902) | 510 | 670 | 1335 | 25 | 110 | 80 | 3500 | 2500 | 0.4 | 130 |
| EV3-10D911K | 910(819-1002) | 510 | 670 | 1335 | 25 | 130 | 90 | 3500 | 2500 | 0.4 | 120 |
| EV3-10D951K | 950(855-1045) | 510 | 670 | 1335 | 25 | 135 | 95 | 3500 | 2500 | 0.4 | 110 |
| EV3-10D102K | 1000(900-1102) | 625 | 825 | 1650 | 25 | 140 | 100 | 3500 | 2500 | 0.4 | 100 |
| EV3-10D112K | 1100(990-1212) | 680 | 895 | 1815 | 25 | 155 | 110 | 3500 | 2500 | 0.4 | 90 |
| EV3-10D182K | 1800(1620-1982) | 1000 | 1465 | 2970 | 25 | 247 | 183 | 3500 | 2500 | 0.4 | 60 |

ELECSOUND ELECTRONICS COMPANY LIMITED

TEL: 0086-755-83045964

FAX: 0086-755-82948027

Website: www.elecsound.com.cn

Email:sales@elecsound.com.cn