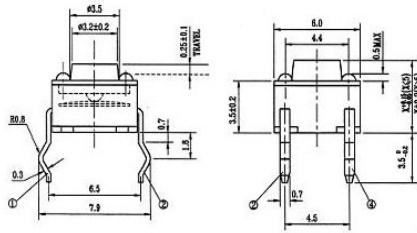


TC-0102 SERIES



MODEL NO.	Stem length(mm)
TC-0102	4.3
TC-0103	5
TC-0104	7
TC-0105	7.3
TC-0106	8
TC-0107	8.5
TC-0108	9.5
TC-0109	12.5
TC-A109	13.0
TC-0110	13.5
TC-0111	17

CODE	OPERATING FORCE (gf)
T	100 ± 30
V	130 ± 30
X	160 ± 50
W	170 ± 50
Y	190 ± 50
Z	250 ± 100
N	350 ± 100

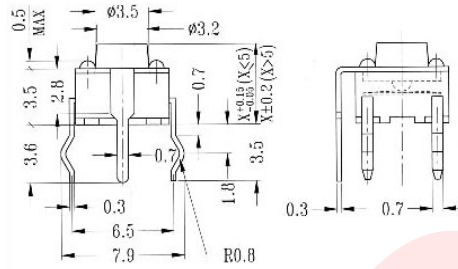
CIRCUIT DIAGRAM



SPECIFICATIONS

- RATING : DC 12V 50mA
- TRAVEL : 0.25 ± 0.1mm
- CONTACT RESISTANCE 100 mΩ MAX

TC-0112 SERIES



MODEL NO.	Stem length(mm)
TC-0112	4.3
TC-0113	5
TC-0114	7
TC-0115	7.3
TC-0116	8
TC-0117	8.5
TC-0118	9.5
TC-0119	12.5

CODE	OPERATING FORCE (gf)
T	100 ± 30
V	130 ± 30
X	160 ± 50
W	170 ± 50
Y	190 ± 50
Z	250 ± 100

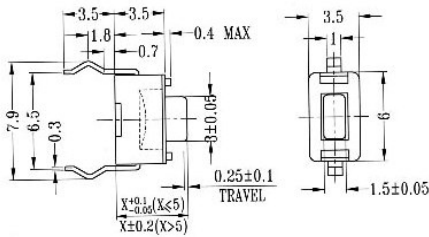
CIRCUIT DIAGRAM



SPECIFICATIONS

- RATING : DC 12V 50mA
- TRAVEL : 0.25 ± 0.1mm
- CONTACT RESISTANCE 100 mΩ MAX

TC-0120 SERIES



MODEL NO.	Stem length(mm)
TC-0120	4.3
TC-0121	5
TC-0122	8

CODE	OPERATING FORCE (gf)
Y	180 ± 50
Z	250 ± 100

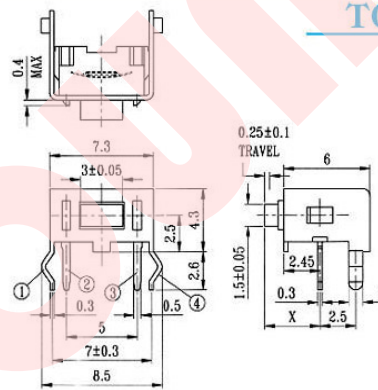
CIRCUIT DIAGRAM



SPECIFICATIONS

- RATING : DC 12V 50mA
- TRAVEL : 0.25 ± 0.1mm
- CONTACT RESISTANCE 100 mΩ MAX

TC-120V SERIES



MODEL NO.	Stem length(mm)
TC-120V	3.15
TC-121V	3.85
TC-122V	6.85

CODE	OPERATING FORCE (gf)
Y	180 ± 50
Z	250 ± 50

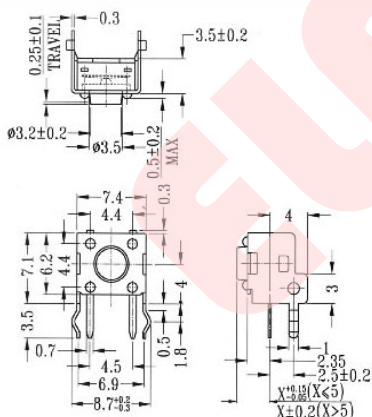
CIRCUIT DIAGRAM



SPECIFICATIONS

- RATING : DC 12V 50mA
- TRAVEL : 0.25 ± 0.1mm
- CONTACT RESISTANCE 100 mΩ MAX

TC-0202 SERIES



MODEL NO.	Stem length(mm)
TC-0202	3.15
TC-0203	3.85
TC-0204	5.85
TC-0205	8.35
TC-0206	6.85
TC-0207	11.35
TC-0208	6.15
TC-0209	11.85
TC-0210	12.35

CODE	OPERATING FORCE (gf)
T	100 ± 30
V	130 ± 30
X	160 ± 50
W	170 ± 50
Y	190 ± 50
Z	250 ± 100

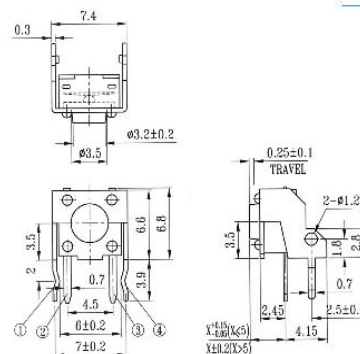
CIRCUIT DIAGRAM



SPECIFICATIONS

- RATING : DC 12V 50mA
- TRAVEL : 0.25 ± 0.1mm
- CONTACT RESISTANCE 100 mΩ MAX

TC-0240 SERIES



MODEL NO.	Stem length(mm)
TC-0240	3.15
TC-0241	3.85
TC-0242	5.85
TC-0243	8.35
TC-0244	6.85
TC-0245	11.35
TC-0246	6.15

CODE	OPERATING FORCE (gf)
T	100 ± 30
V	130 ± 30
X	160 ± 50
W	170 ± 50
Y	190 ± 50
Z	250 ± 100

CIRCUIT DIAGRAM

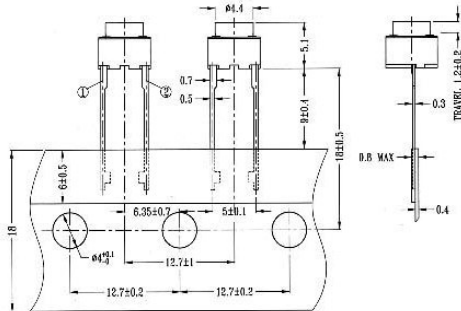


SPECIFICATIONS

- RATING : DC 12V 50mA
- TRAVEL : 0.25 ± 0.1mm
- CONTACT RESISTANCE 100 mΩ MAX

TC-1131

(NO CLICK)



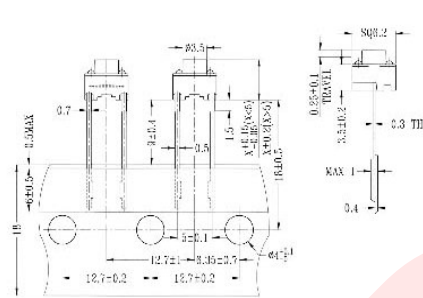
CIRCUIT DIAGRAM

SPECIFICATIONS



1. RATING : DC 12V 50mA
2. TRAVEL : 1.2 ± 0.2mm
3. CONTACT RESISTANCE 100mΩ MAX
4. OPERATING FORCE: 250gf ± 50gf

TC-0302 SERIES



CIRCUIT DIAGRAM

SPECIFICATIONS

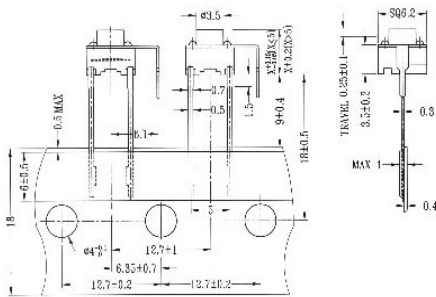


1. RATING : DC 12V 50mA
2. TRAVEL : 0.25 ± 0.1mm
3. CONTACT RESISTANCE 100 mΩ MAX

MODEL NO.	Stem Length(mm)
TC-0302	4.3
TC-0303	5
TC-0304	7
TC-0305	7.3
TC-0306	8
TC-0308	9.5
TC-0309	12.5

CODE	OPERATING FORCE (gf)
T	100 ± 30
V	130 ± 30
X	160 ± 50
W	170 ± 50
Y	190 ± 50
Z	250 ± 100

TC-0312 SERIES



CIRCUIT DIAGRAM

SPECIFICATIONS

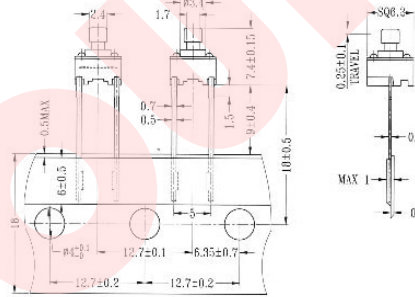


1. RATING : DC 12V 50mA
2. TRAVEL : 0.25 ± 0.1mm
3. CONTACT RESISTANCE 100 mΩ MAX

MODEL NO.	Stem Length(mm)
TC-0312	4.3
TC-0313	5
TC-0314	7
TC-0315	7.3
TC-0316	8
TC-0318	9.5
TC-0319	12.5

CODE	OPERATING FORCE (gf)
T	100 ± 30
V	130 ± 30
X	160 ± 50
W	170 ± 50
Y	190 ± 50
Z	250 ± 100

TC-0324 SERIES



CIRCUIT DIAGRAM

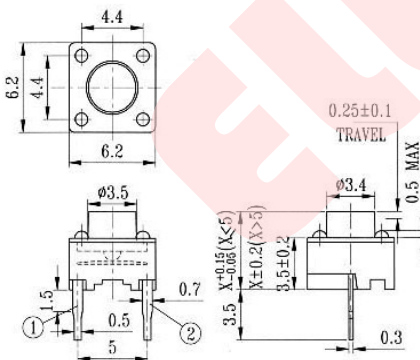
SPECIFICATIONS



1. RATING : DC 12V 50mA
2. TRAVEL : 0.25 ± 0.1mm
3. CONTACT RESISTANCE 100 mΩ MAX
4. STEM DIMENSION: 2.4 x 2.4 mm

CODE	OPERATING FORCE (gf)
T	100 ± 30
V	130 ± 30
X	160 ± 50
W	170 ± 50
Y	190 ± 50
Z	250 ± 100

TC-0402 SERIES



CIRCUIT DIAGRAM

SPECIFICATIONS

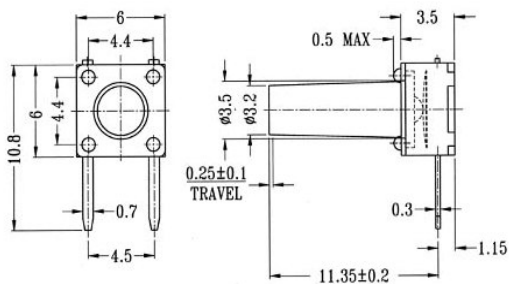


1. RATING : DC 12V 50mA
2. TRAVEL : 0.25 ± 0.1mm
3. CONTACT RESISTANCE 100 mΩ MAX

MODEL NO.	Stem Length(mm)
TC-0402	4.3
TC-0403	5
TC-0404	7
TC-0405	7.3
TC-0406	8
TC-0407	8.5
TC-0408	9.5
TC-0409	12.5

CODE	OPERATING FORCE (gf)
T	100 ± 30
V	130 ± 30
X	160 ± 50
W	170 ± 50
Y	190 ± 50
Z	250 ± 100

TC-0507



CIRCUIT DIAGRAM

SPECIFICATIONS



Rating : 50mA 12V DC