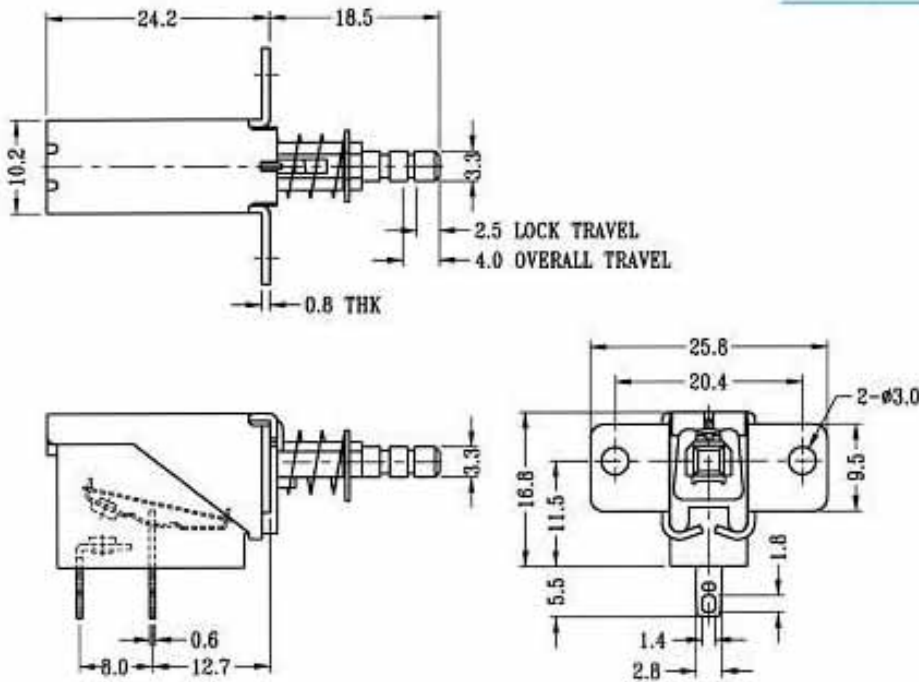


PS-11E01



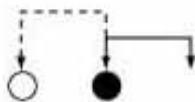
PS-11E01

(LOCKED)



CIRCUIT DIAGRAM

SPECIFICATIONS



Rating : 1A 125V AC
0.5A 250V AC
Function : 1P2T

Det