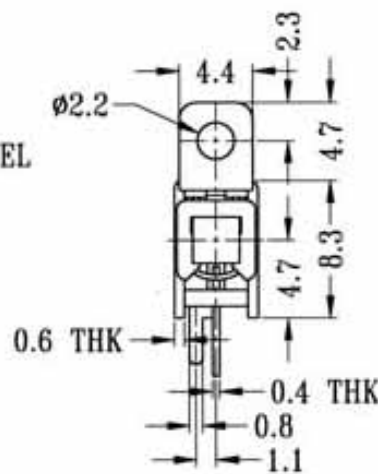
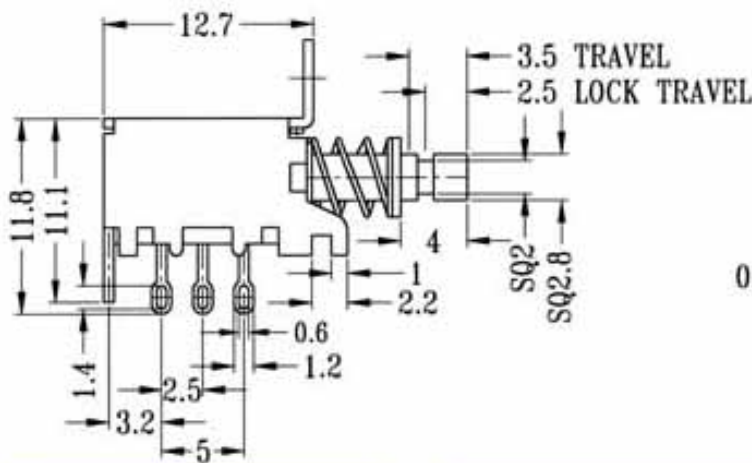
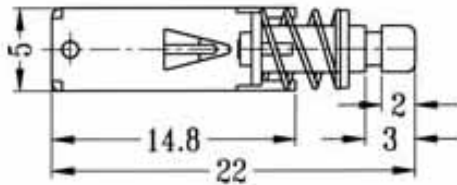


PS-12E10



PS-12E10

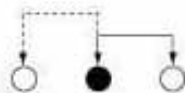
(LOCKED)



CIRCUIT DIAGRAM

SPECIFICATIONS

NON-SHORTING



Rating : 0.3A 50V DC
Function : 1P2T