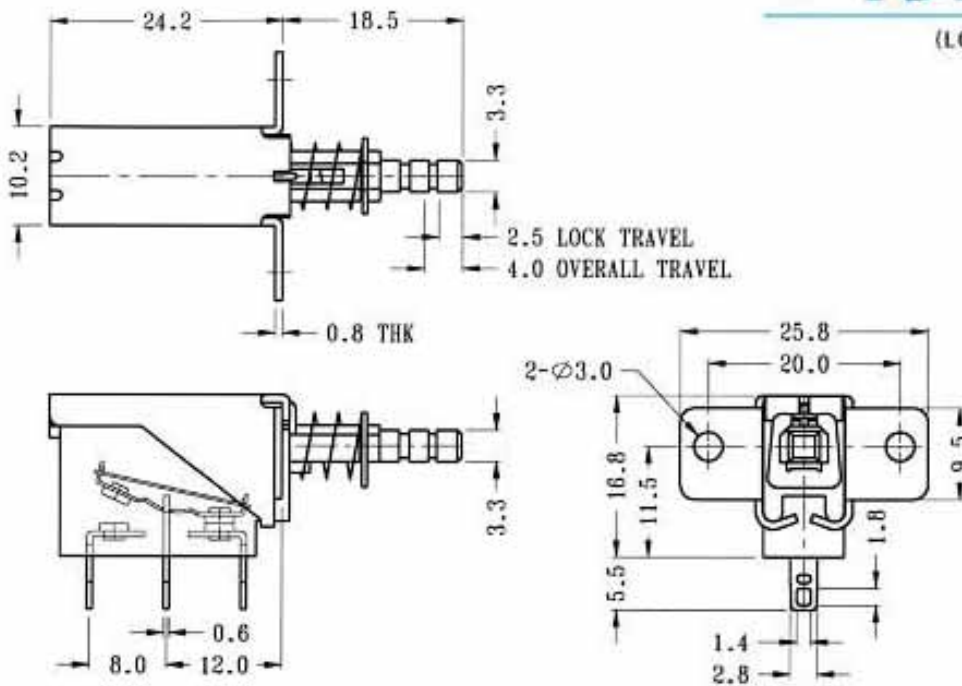


PS-12E21



PS-12E21

(LOCKED)



CIRCUIT DIAGRAM

SPECIFICATIONS

NON-SHORTING



Rating : 0.3A 250V AC
Function: 1P2T