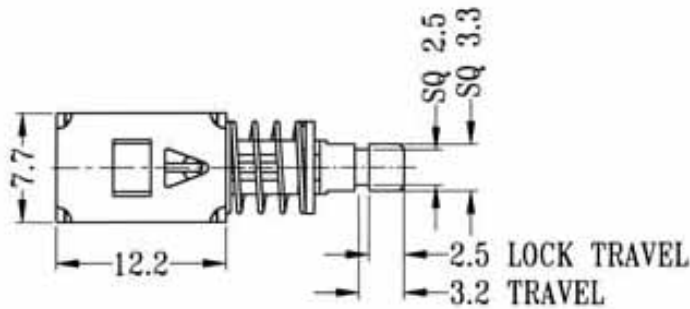


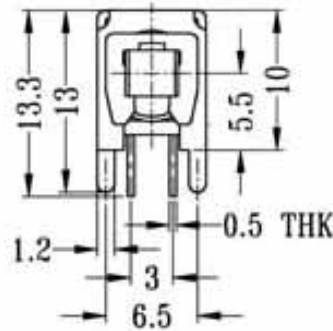
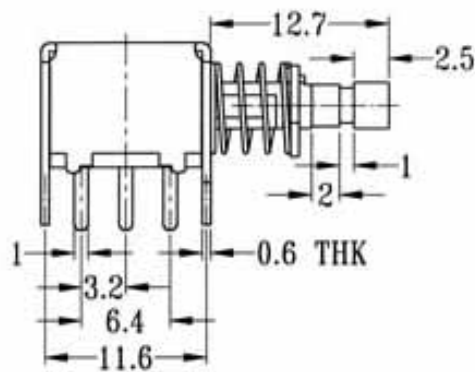
PS-22F02



PS-22F02  
PS-22F03

(LOCKED)

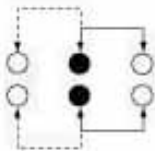
(NON-LOCKED)



CIRCUIT DIAGRAM

SPECIFICATIONS

- NON-SHORTING
- SHORTING



Rating : 0.3A 50V DC  
Function: 2P2T

R