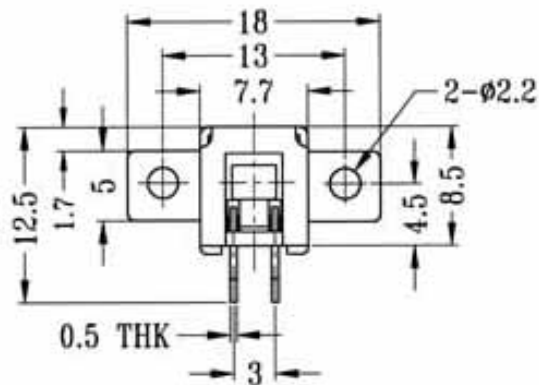
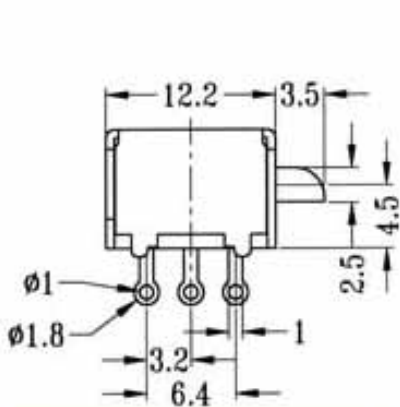
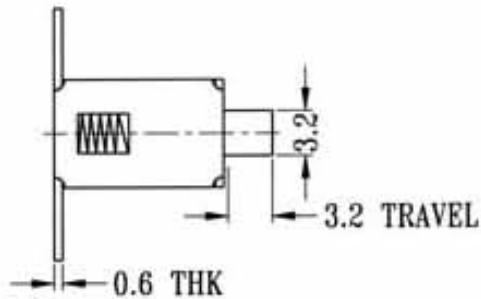


PS-22F14



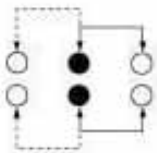
PS-22F14



CIRCUIT DIAGRAM

SPECIFICATIONS

NON-SHORTING



Rating : 0.3A 50V DC  
Function: 2P2T