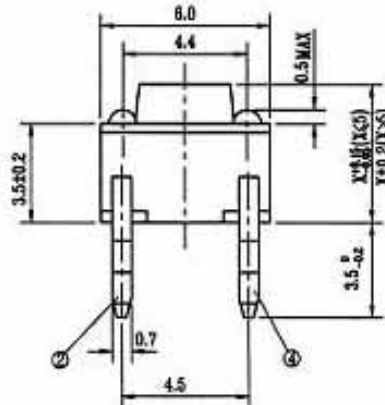
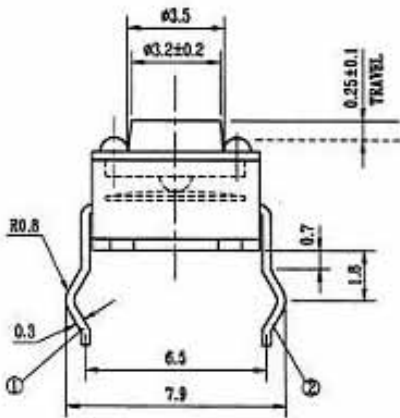


# Tact Switch

# Elecsound

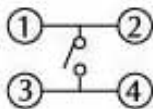
## ETC-0102 Tact Switch



| MODEL NO. | Stem length(mm) |
|-----------|-----------------|
| TC-0102   | 4.3             |
| TC-0103   | 5               |
| TC-0104   | 7               |
| TC-0105   | 7.3             |
| TC-0106   | 8               |
| TC-0107   | 8.5             |
| TC-0108   | 9.5             |
| TC-0109   | 12.5            |
| TC-A109   | 13.0            |
| TC-0110   | 13.5            |
| TC-0111   | 17              |

| CODE | OPERATING FORCE (gf) |
|------|----------------------|
| T    | 100 ± 30             |
| V    | 130 ± 30             |
| X    | 160 ± 50             |
| W    | 170 ± 50             |
| Y    | 190 ± 50             |
| Z    | 250 ± 100            |
| N    | 350 ± 100            |

### CIRCUIT DIAGRAM



### SPECIFICATIONS

1. RATING : DC 12V 50mA
2. TRAVEL : 0.25 ± 0.1mm
3. CONTACT RESISTANCE 100 mΩ MAX