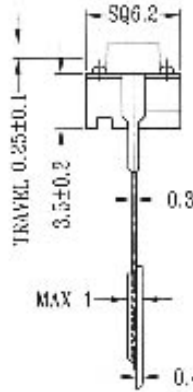
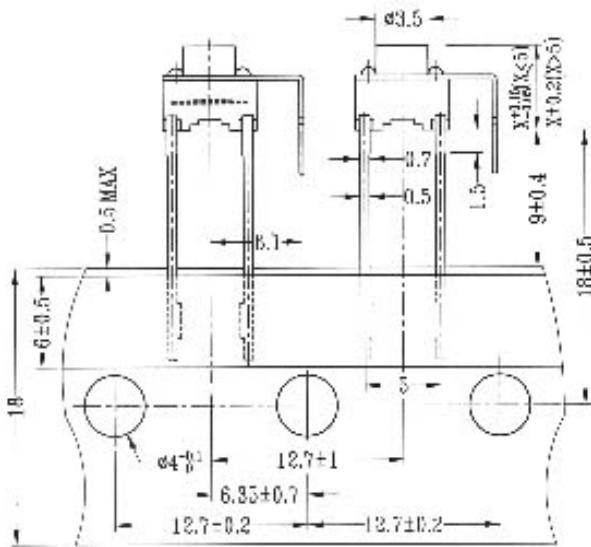


ETC-0312 Tact Switch

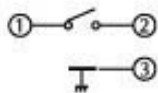


MODEL NO.	Stem Length(mm)
TC-0312	4.3
TC-0313	5
TC-0314	7
TC-0315	7.3
TC-0316	8
TC-0318	9.5
TC-0319	12.5

CODE	OPERATING FORCE (gf)
T	100 ± 30
V	130 ± 30
X	160 ± 50
W	170 ± 50
Y	190 ± 50
Z	250 ± 100

CIRCUIT DIAGRAM

SPECIFICATIONS



1. RATING : DC 12V 50mA
2. TRAVEL : 0.25 ± 0.1mm
3. CONTACT RESISTANCE 100 mΩ MAX