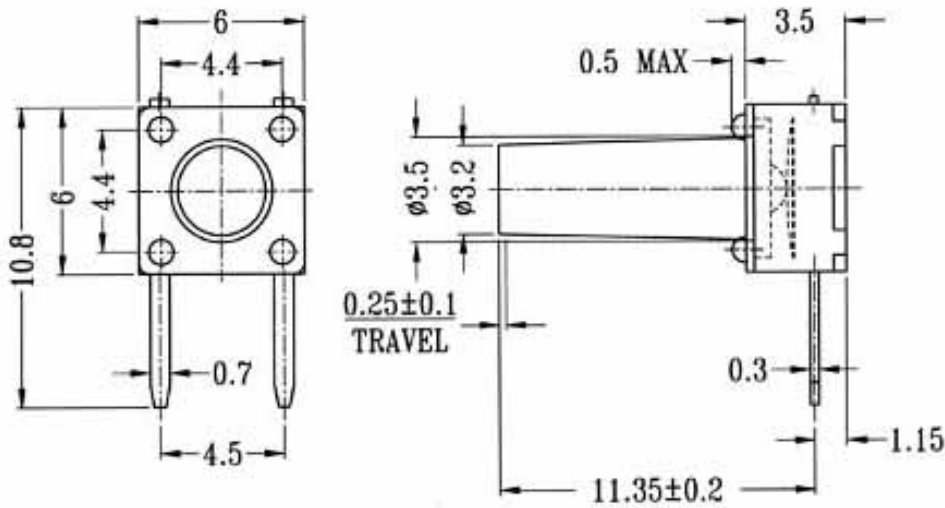
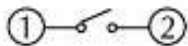


ETC-0507 Tact Switch



CIRCUIT DIAGRAM



SPECIFICATIONS

Rating : 50mA 12V DC