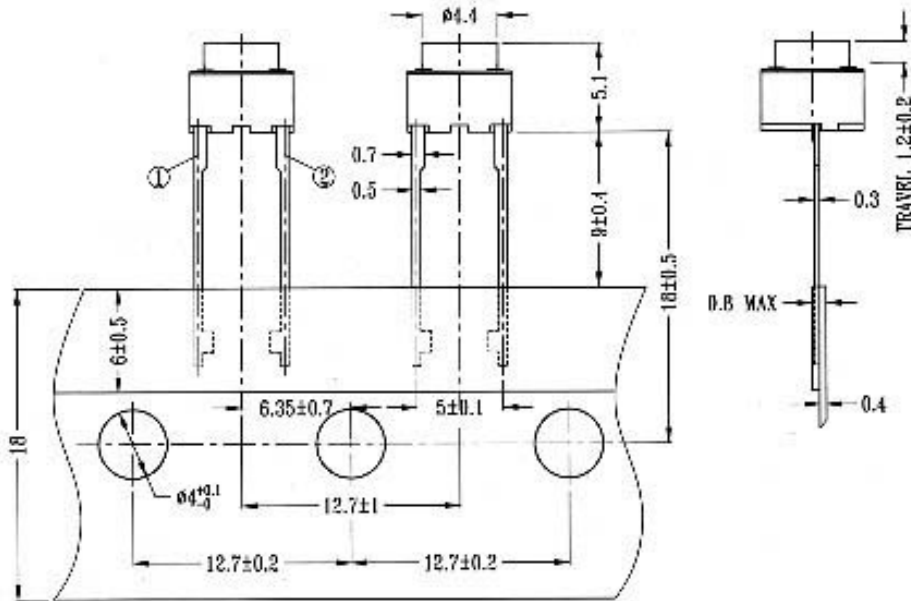


ETC-1131 Tact Switch



CIRCUIT DIAGRAM



SPECIFICATIONS

1. RATING : DC 12V 50mA
2. TRAVEL : 1.2 ± 0.2 mm
3. CONTACT RESISTANCE 100mΩ MAX
4. OPERATING FORCE: 250gf \pm 50gf