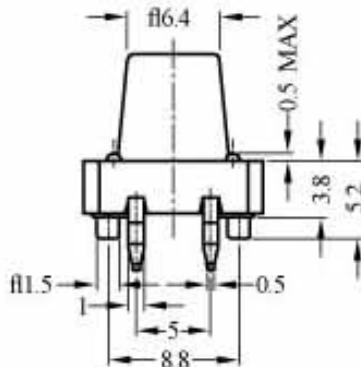
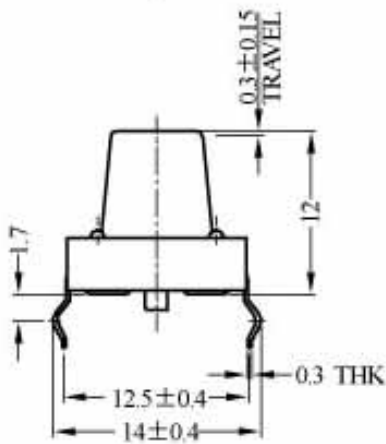
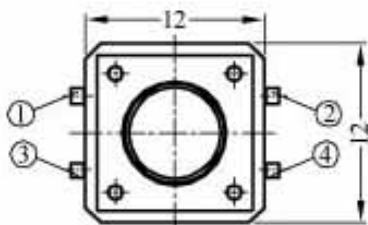


ETC-12EF Tact Switch



TC-12EF SERIES

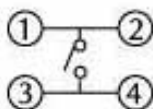


MODEL NO.	Guide Pin
TC-12EF	With
TC-12XF	Without

COVER TYPE	CODE
PLASTIC	A01
METAL	A00

CODE	OPERATING FORCE(gf)
X	160 ± 50
Z	250 ± 100

CIRCUIT DIAGRAM



SPECIFICATIONS

- 1. RATING : DC 12V 50mA
- 2. TRAVEL : 0.3 ± 0.15mm
- 3. CONTACT RESISTANCE 100 mΩ MAX