

## Features:

Wide Operating voltage (V1mA) range from 18V~750V  
 Withstanding Surge Current: 100~800A  
 Model Size: 5mm  
 Fast responding to transient over-voltage<25ns  
 Low Clamping ratio and no following-on current  
 Rohs Compliant

## Application:

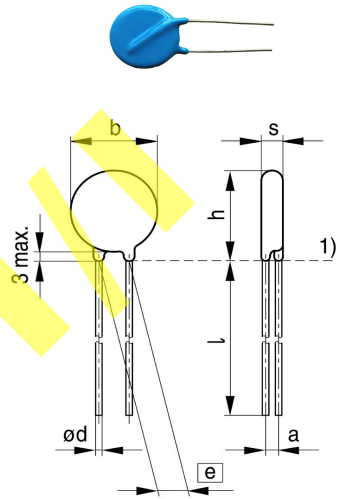
Transistor, Diode, IC, Thyristor or diac semiconductor protection  
 Surge protection in consumer electronics  
 Surge protection in industrial electronics  
 Surge protection in electronic home appliance, gas and petroleum.  
 Relay and electromagnetic valve surge absorption

## How to order:

EV1	05	D	471	K	T
MARKing	Chip Diameter	D: Disk	Voltage	Tolerance	Packing Style
	05 : 5mm	S: Square	471:47X1 0'	K=±10%	T: Tape
	07 : 7mm	E: Other		L=±15%	
	10 : 10mm				Nothing: bulk
	14 : 14mm				
20 : 20mm					

## Diameter And Size(Unit: mm)

Voltage	B (Max.)	H (Max.)	L (Min.)	E ±1	ød (Max.)	S (Max.)
180K-680K	7.5	9.5	25	5	0.6	5.0
820K-201K	7.5	9.5	25	5	0.6	5.0
221K-331K	7.5	9.5	25	5	0.6	5.5
361K-471K	7.5	9.5	25	5	0.6	6.0
511K-561K	7.5	9.5	25	5	0.6	6.5
621K-751K	7.5	9.5	25	5	0.6	7.0



## Electrical Characteristics

Part number	Voltage at DC <sub>1mA</sub> (25°C)	Max. Continuous Applied Voltage		Max. Voltage at Class Current V <sub>c</sub> (V)	Class Current (8/20us) I <sub>p</sub> (A)	Energy Surge (10/1000us) high(J)	Std. Energy (J)	Max. Peak Current (A)	Std. I(A)	Rated Power (W)	Typical Capatance @1KHz(pf)
		AC(V)	DC(V)								
EV1-05D180L	18(15-21.6)	11	14	40	1	0.6	0.4	250	100	0.01	3500
EV1-05D220K	22(19.5-24)	14	18	48	1	0.7	0.5	250	100	0.01	2800
EV1-05D270K	27(24-31)	17	22	60	1	0.9	0.6	250	100	0.01	2200
EV1-05D330K	33(29.5-36.5)	20	26	73	1	1.1	0.8	250	100	0.01	1800
EV1-05D390K	39(35-43)	25	31	86	1	1.2	0.9	250	100	0.01	1450
EV1-05D470K	47(42-52)	30	38	104	1	1.5	1.1	250	100	0.01	1150
EV1-05D560K	56(50-62)	35	45	123	1	1.8	1.3	250	100	0.01	1050
EV1-05D680K	68(61-75)	40	56	150	1	2.2	1.6	250	100	0.01	970
EV1-05D820K	82(74-90)	50	65	165	5	3.5	2.5	800	600	0.1	930
EV1-05D101K	100(90-110)	60	85	175	5	4.1	3	800	600	0.1	860
EV1-05D121K	120(108-132)	75	100	210	5	4.5	3.5	800	600	0.1	670
EV1-05D151K	150(135-165)	95	125	260	5	6.5	4.5	800	600	0.1	490
EV1-05D181K	180(162-198)	115	150	320	5	7.5	5.5	800	600	0.1	330
EV1-05D201K	200(180-225)	130	170	355	5	9	6	800	600	0.1	240
EV1-05D221K	220(198-242)	140	180	380	5	9	6	800	600	0.1	190
EV1-05D241K	240(216-264)	150	200	415	5	10.5	8	800	600	0.1	165
EV1-05D271K	270(243-297)	175	225	475	5	12	8	800	600	0.1	150
EV1-05D301K	300(270-330)	190	250	520	5	13	9	800	600	0.1	135
EV1-05D331K	330(297-363)	210	275	570	5	15	10	800	600	0.1	130
EV1-05D361K	360(324-396)	230	300	620	5	16	11	800	600	0.1	125
EV1-05D391K	390(351-429)	250	320	675	5	17	12	800	600	0.1	105
EV1-05D431K	430(387-473)	275	350	745	5	20	15	800	600	0.1	100
EV1-05D471K	470(423-517)	300	385	810	5	21	15	800	600	0.1	90
EV1-05D511K	510(459-561)	320	418	842	5	22	16	800	600	0.1	85
EV1-05D561K	560(504-616)	350	460	920	5	23	17	800	600	0.1	80
EV1-05D621K	620(558-682)	385	505	1025	5	24	18	800	600	0.1	75
EV1-05D681K	680(612-748)	385	560	1120	5	25	19	800	600	0.1	68
EV1-05D751K	750(675-825)	460	615	1240	5	32	22	800	600	0.1	50