

# EV3 - 10mm Zinc Oxide Varistor

**ELECSOUND®**

## Features:

Wide Operating voltage (V1mA) range from 18V~1800V  
 Withstanding Surge Current: 500~3500A  
 Model Size: 10mm  
 Fast responding to transient over-voltage<25ns  
 Low Clamping ratio and no following-on current  
 Rohs Compliant

## Application:

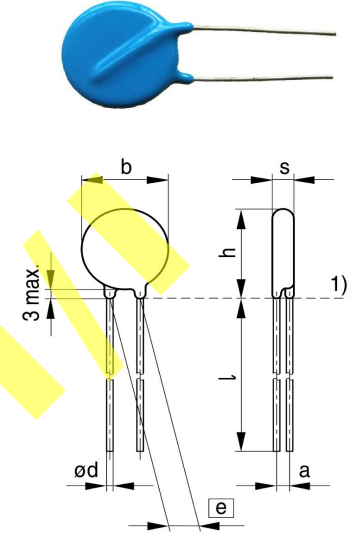
Transistor, Diode, IC, Thyristor or diac semiconductor protection  
 Surge protection in consumer electronics  
 Surge protection in industrial electronics  
 Surge protection in electronic home appliance, gas and petroleum.  
 Relay and electromagnetic valve surge absorption

## How to order:

EV3	10	D	471	K	T
MARKING	Chip Diameter	D: Disk	Voltage	Tolerance	Packing Style
	05 : 5mm	S: Square	471:47x 10'	K=±10%	T: Tape
	07 : 7mm	E: Other		L=±15%	Nothing: bulk
	10 : 10mm				
	14 : 14mm				
20 : 20mm					

## Diameter And Size(Unit: mm)

Voltage	B (Max.)	H (Max.)	L (Min.)	E ±1	ød (Max.)	S (Max.)
180K-680K	13	15	25	7.5	0.8	5.0
820K-201K	13	15	25	7.5	0.8	5.0
221K-331K	13	15	25	7.5	0.8	5.5
361K-471K	13	15	25	7.5	0.8	6.0
511K-561K	13	15	25	7.5	0.8	6.5
621K-681K	13	15	25	7.5	0.8	7.0
751K-821K	13	15	25	7.5	0.8	7.5
911K-122K	13	15	25	7.5	0.8	8.0
142K-162K	13	15	25	7.5	0.8	10.0
182K	13	15	25	7.5	0.8	12.0



## Electrical Characteristics

Part number	Voltage at DC <sub>1mA</sub> (25°C)	Max. Continuous Applied Voltage		Max. Voltage at Class Current Vc(V)	Class Current (8/20us) Ip(A)	Energy Surge (10/1000us) high(J)	Std. Energy (J)	Max. Peak Current (A)	Std. I(A)	Rated Power (W)	Typical Capatance @1KHz(pf)
		AC(V)	DC(V)								
EV3-10D180L	18(15-21.6)	11	14	38	5	2.3	2	1000	500	0.05	7500
EV3-10D220K	22(19.5-24)	14	18	43	5	2.6	2.2	1000	500	0.05	6000
EV3-10D270K	27(24-31)	17	22	53	5	3.9	3.2	1000	500	0.05	4800
EV3-10D330K	33(29.5-36.5)	20	26	65	5	4.8	4	1000	500	0.05	4200
EV3-10D390K	39(35-43)	25	31	77	5	5.6	4.7	1000	500	0.05	3700
EV3-10D470K	47(42-52)	30	38	93	5	6.8	5.6	1000	500	0.05	3300
EV3-10D560K	56(50-62)	35	45	110	5	8.1	6.7	1000	500	0.05	2900
EV3-10D680K	68(61-75)	40	56	135	5	10	8.2	1000	500	0.05	2500
EV3-10D820K	82(74-90)	50	65	135	25	14	10	3500	2500	0.4	2100
EV3-10D101K	100(90-110)	60	85	165	25	17	12	3500	2500	0.4	1700
EV3-10D121K	120(108-132)	75	100	200	25	20	15	3500	2500	0.4	1500
EV3-10D151K	150(135-165)	95	125	250	25	25	18	3500	2500	0.4	1300
EV3-10D181K	180(162-198)	115	150	300	25	32	21	3500	2500	0.4	470
EV3-10D201K	200(180-225)	130	170	340	25	35	25	3500	2500	0.4	430
EV3-10D221K	220(198-242)	140	180	360	25	39	28	3500	2500	0.4	390
EV3-10D241K	240(216-264)	150	200	395	25	42	30	3500	2500	0.4	360
EV3-10D271K	270(243-297)	175	225	455	25	49	35	3500	2500	0.4	330
EV3-10D301K	300(270-330)	195	250	505	25	54	38	3500	2500	0.4	290
EV3-10D331K	330(297-363)	210	275	550	25	58	42	3500	2500	0.4	280
EV3-10D361K	360(324-396)	230	300	595	25	65	45	3500	2500	0.4	260
EV3-10D391K	390(351-429)	250	320	650	25	70	50	3500	2500	0.4	240
EV3-10D431K	430(387-473)	275	350	710	25	80	55	3500	2500	0.4	220
EV3-10D471K	470(423-517)	300	385	775	25	85	60	3500	2500	0.4	190
EV3-10D511K	510(459-561)	320	418	842	25	92	67	3500	2500	0.4	180
EV3-10D561K	560(504-616)	350	460	920	25	93	69	3500	2500	0.4	180
EV3-10D621K	620(558-682)	385	510	1025	25	97	70	3500	2500	0.4	160
EV3-10D681K	680(612-748)	420	560	1120	25	100	72	3500	2500	0.4	140
EV3-10D751K	750(675-825)	460	615	1240	25	105	75	3500	2500	0.4	130
EV3-10D781K	780(702-858)	485	640	1290	25	107	77	3500	2500	0.4	130
EV3-10D821K	820(738-902)	510	670	1335	25	110	80	3500	2500	0.4	130
EV3-10D911K	910(819-1002)	510	670	1335	25	130	90	3500	2500	0.4	120
EV3-10D951K	950(855-1045)	510	670	1335	25	135	95	3500	2500	0.4	110
EV3-10D102K	1000(900-1102)	625	825	1650	25	140	100	3500	2500	0.4	100
EV3-10D112K	1100(990-1212)	680	895	1815	25	155	110	3500	2500	0.4	90
EV3-10D182K	1800(1620-1982)	1000	1465	2970	25	247	183	3500	2500	0.4	60

**Elecsound Electronics Company Limited** Copyright©2009

TEL: 86-755-83045964 FAX: 86-755-82948027

website: [www.elecsound.com.cn](http://www.elecsound.com.cn)

[sales@elecsound.com.cn](mailto:sales@elecsound.com.cn)